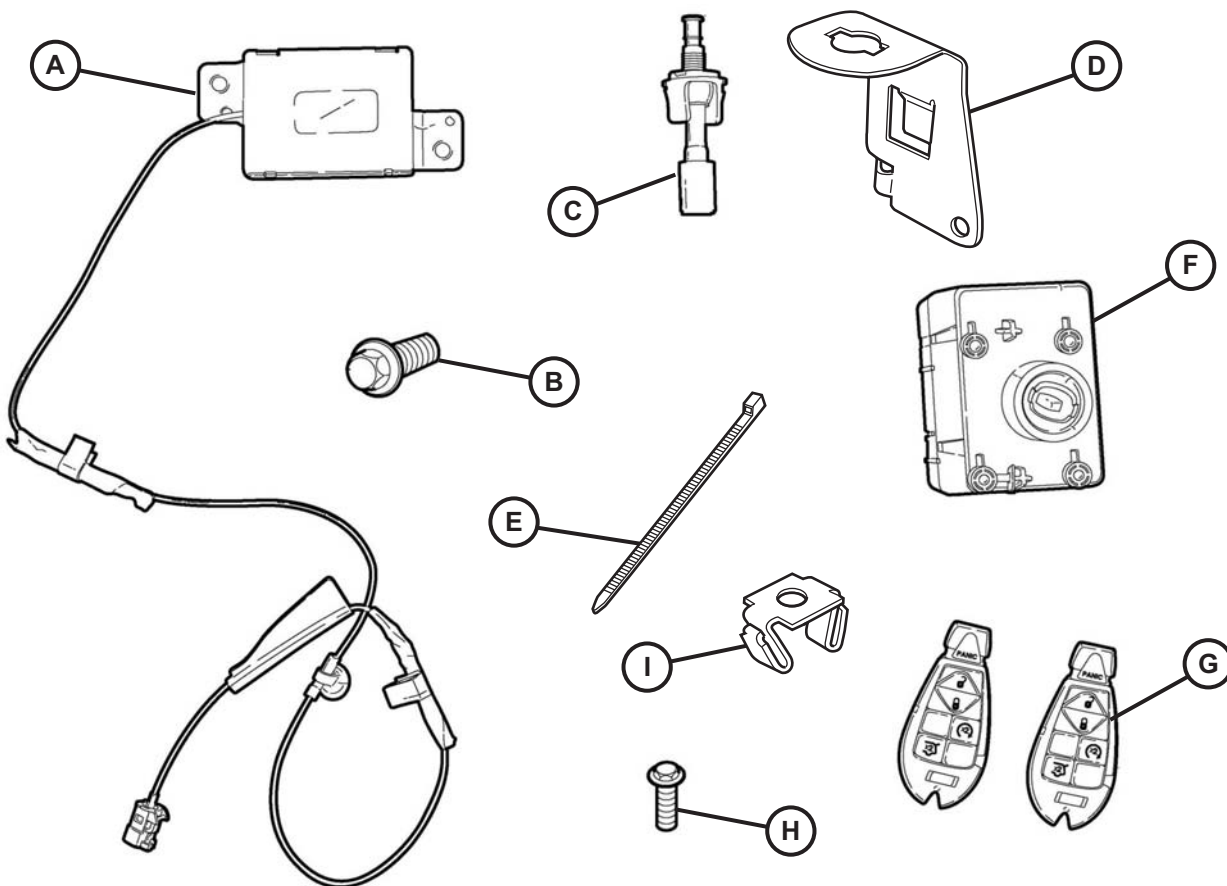


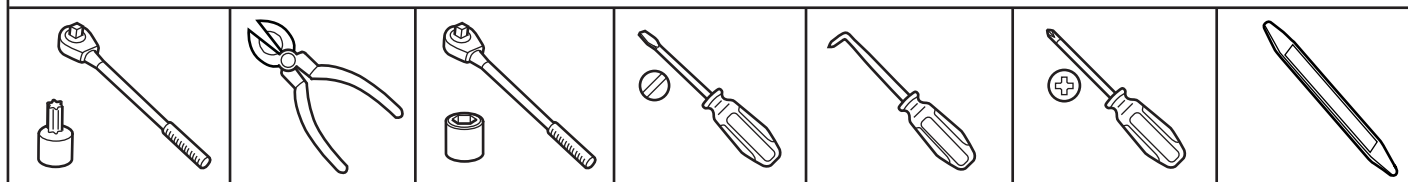


# CHRYSLER TOWN & COUNTRY / DODGE CARAVAN REMOTE START

www.mopar.com



CALL OUT	DESCRIPTION	QUANTITY
A	WIN Antenna	1
B	Hood Ajar Switch Bracket Mounting Fastener	1
C	Hood Ajar Switch	1
D	Hood Ajar Switch Bracket	1
E	Zip Ties	12
F	Wireless Ignition Node (WIN)	1
G	FOBIK	2
H	WIN Antenna Mounting Fasteners	2
I	Snap-In Nut	2



**RETAIN ALL FASTENERS FOR LATER REINSTALLATION**

**CAUTION:**

**XBM remote start can ONLY be installed on vehicles that have the following factory options: Automatic Transmission, Remote Keyless Entry and Immobilizer.**

**WinFobik based vehicles, the sales code must be added to the database and the Restore Vehicle Configuration (using a diagnostic scan tool) must be performed prior to installing the new WIN module. Failure to do so will render the WIN module's remote start function inoperative.**

**The technician should wait 1/2 hour between adding XBM sales code in DealerConnect before installing the WIN module & restoring vehicle configuration. In the interim, the technician can install all other components except the WIN module.**

**NOTE: It is recommended to read the instructions thoroughly before installing this product.**

**PROCEDURE STEPS:****UPDATE VEHICLE CONFIGURATION**

**NOTE: The wiTECH software level must be at the latest release to perform this procedure.**

1. VIN must be updated with the sales code of the added accessory in order to enable system functionality. Using the DealerCONNECT website and the wiTECH diagnostic application, complete the vehicle configuration.

**ADD SALES CODE XBM (REMOTE START) TO VEHICLE IN DealerCONNECT**

2. Log on to <https://dealerconnect.chrysler.com>.
3. In the "Service tab"- "Warranty Administration" box -"Vehicle Option Updates" screen, enter the VIN and add the sales code XBM (Remote start) and press SAVE.
4. Confirm that the new sales code has been successfully added to the VIN under the "Dealer Installed Option" near the bottom of the screen.

**RESTORE VEHICLE CONFIGURATION**

5. With the wiTECH diagnostic application, perform the following steps from the Initial Start Up Screen:

- Select the "DIAGNOSTIC PROCEDURES" tab
- Select "RESTORE VEHICLE CONFIGURATION"
- Select "CONTINUE"
- Verify that the vehicle VIN number is correct
- Once verified, select the "Correct VIN" button
- Note OnScreen instructions and select the "Close" button

**RECORD THIS DATA BEFORE DISCONNECTING THE BATTERY**

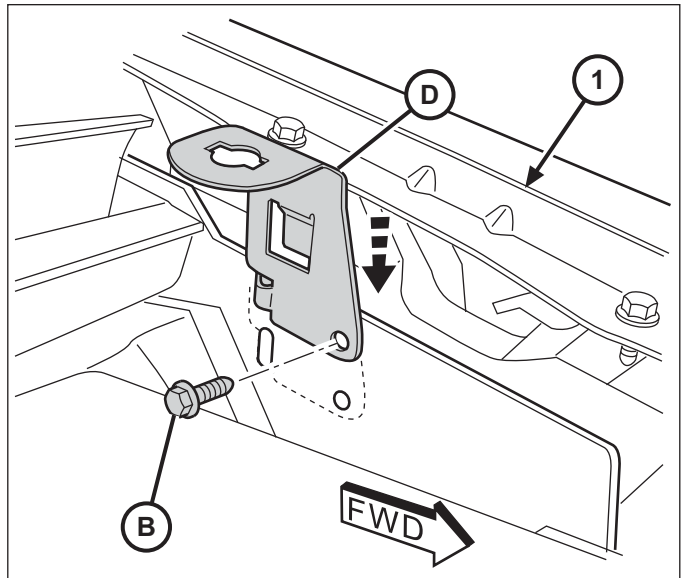
6. Write down the names and data values for each of the Tire Sensor ID's. This will be needed later in the installation procedure. With the wiTECH diagnostic application, perform the following steps:

- Select "WIRELESS CONTROL MODULE (WCM)"
- Select the "DATA" tab
- Record the sensor IDs for all four tires

**Obtain 4-digit PIN number from authorized dealership personnel**

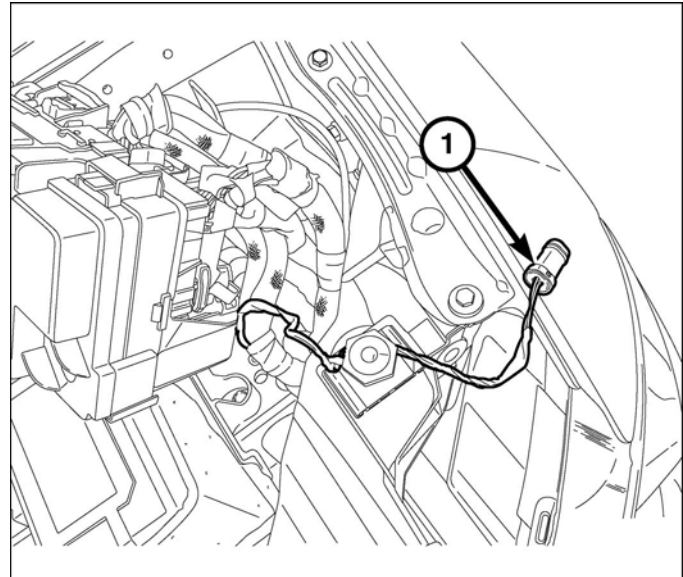
**HOOD SWITCH, BRACKET AND HARNESS INSTALLATION**

1. Disconnect and isolate the negative battery cable.
2. Locate the hood switch mounting location, near the driver side inner fender (1).
3. Position the hood ajar switch bracket (D) onto the driver side inner fender (1).
4. Install the mounting fastener (B) provided in the kit to secure the hood ajar switch bracket to the driver side inner fender (1). Tighten the fastener securely.



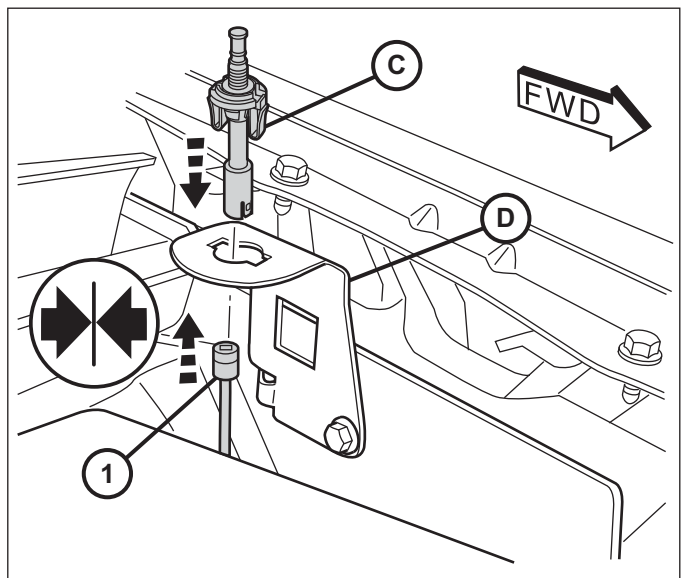
**NOTE:** If equipped, it may be necessary to reposition or remove the Integrated Power Module (IPM) to locate the factory hood switch harness.

5. Locate the hood switch harness take off (1) located under the IPM, taped on the existing vehicle harness.
6. Remove the tape securing the take off harness (1) from the vehicle harness.



**NOTE:** Selfadjustment of the hood ajar switch is a one time feature. If the switch is damaged, ineffective, removed or requires readjustment, it must be replaced with a new unit.

7. Position the hood ajar switch (C) near the hole in the mounting bracket (D) on the left inner fender side shield.
8. Pull the wire harness connector (1) through the switch mounting bracket and connect it to the hood ajar switch.
9. From the top of the mounting bracket, press the hood ajar switch downward into the mounting hole of the bracket until the integral switch latch tabs lock it into place.

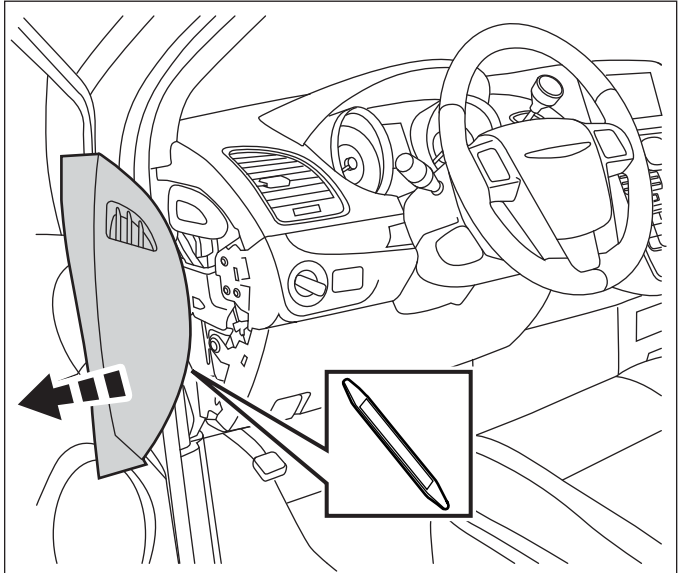


**WIRELESS CONTROL MODULE (WCM) AND REMOTE START ANTENNA INSTALLATION**

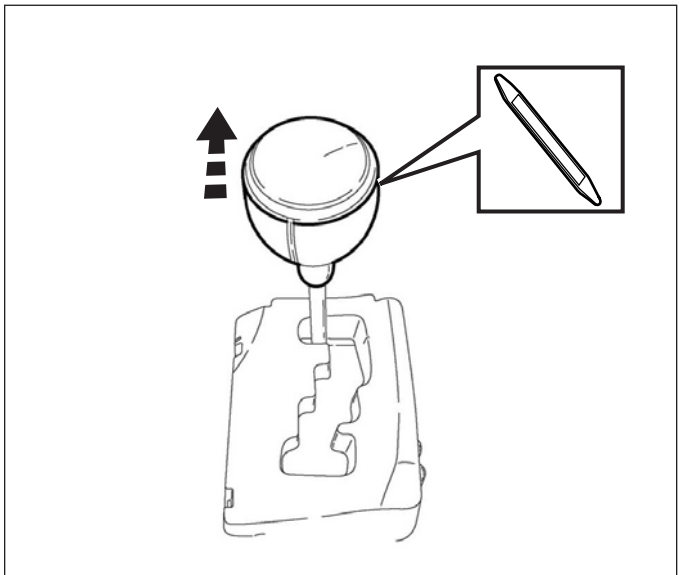
**WARNING:** Disable the airbag system before attempting any steering wheel, steering column or instrument panel component diagnosis or service. Disconnect and isolate the negative battery (ground) cable, then wait two minutes for the airbag system capacitor to discharge before performing further diagnosis or service. This is the only sure way to disable the airbag system. Failure to follow these instructions may result in accidental airbag deployment and possible serious or fatal injury.

**NOTE:** Take the proper precautions to protect the front face of the instrument panel from cosmetic damage during this service procedure.

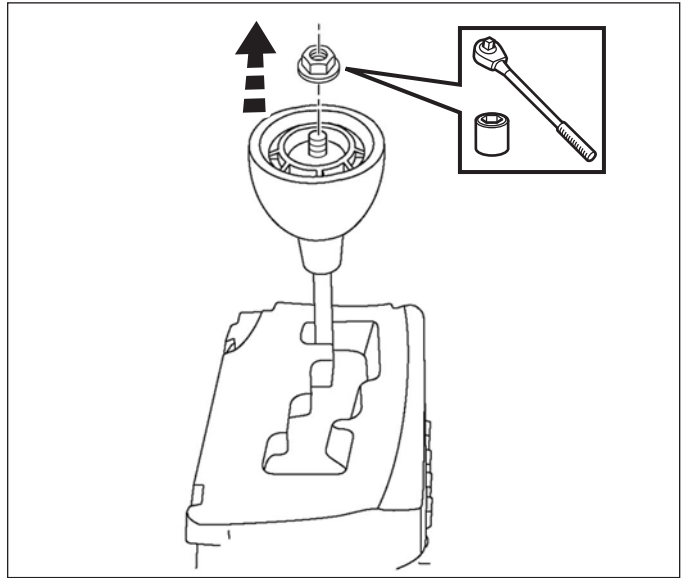
1. Using a trim stick or equivalent, remove the end cap from the instrument panel. Repeat on opposite side.



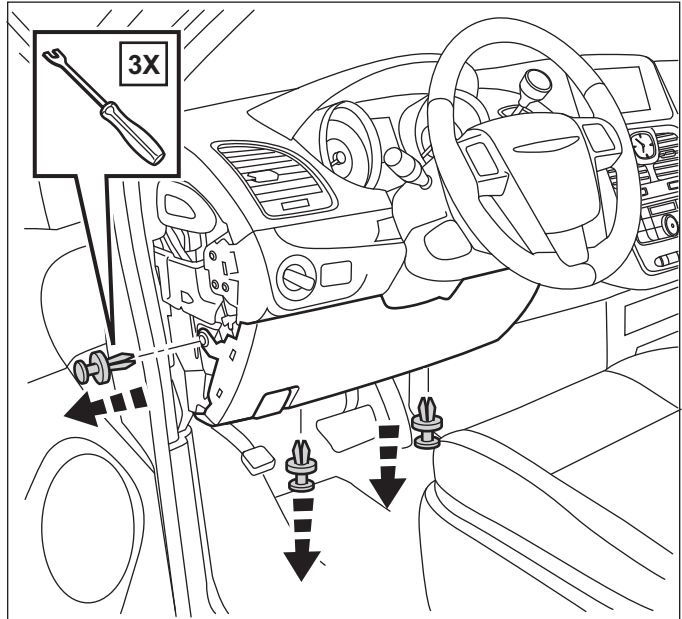
2. Using a trim stick carefully pry between the knob and the plastic bezel below the chrome ring to remove the shifter cover from the shifter knob.



5. Remove the nut from the shifter shaft.
6. Remove the shifter knob from the shifter mechanism by firmly pulling upward.

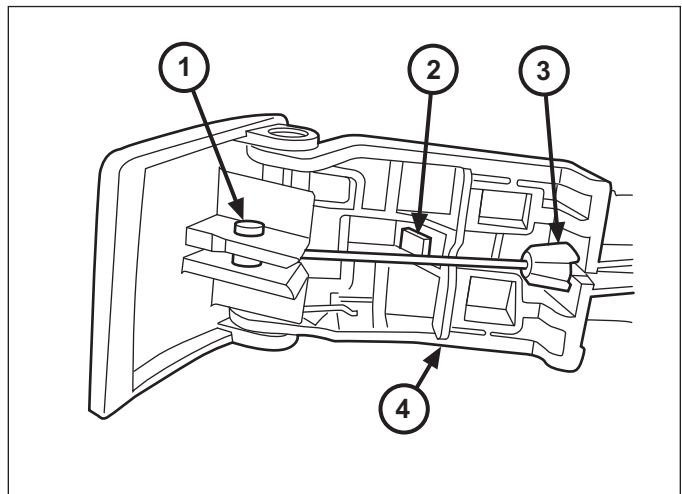


7. Remove the lower fasteners from the steering column opening cover.
8. Remove the fastener located on the outboard side attaching the steering column opening cover to the instrument panel structure.
9. Disconnect all plugs and remove diagnostic port from behind cover.

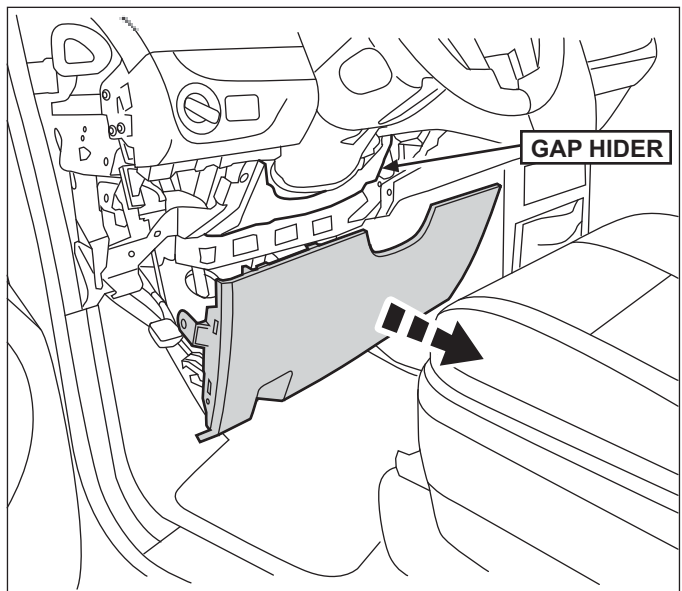
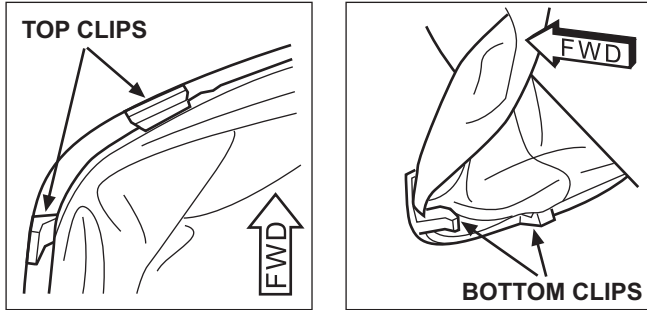


#### 10. TO REMOVE HOOD RELEASE:

Lift the retaining tab (2) and slide the handle (4) forward. Press the tabs and release the cable (3) from the handle then remove the cable end (1).



**NOTE:** Before removing the following trim panels, use a trim stick to release the clips around the leather gap hider above and below the steering column. Use caution not to break the clips.



11. Using a trim stick or equivalent, remove the steering column opening cover from the instrument panel.

12. Push the tilt lever (3) downward to the released position.

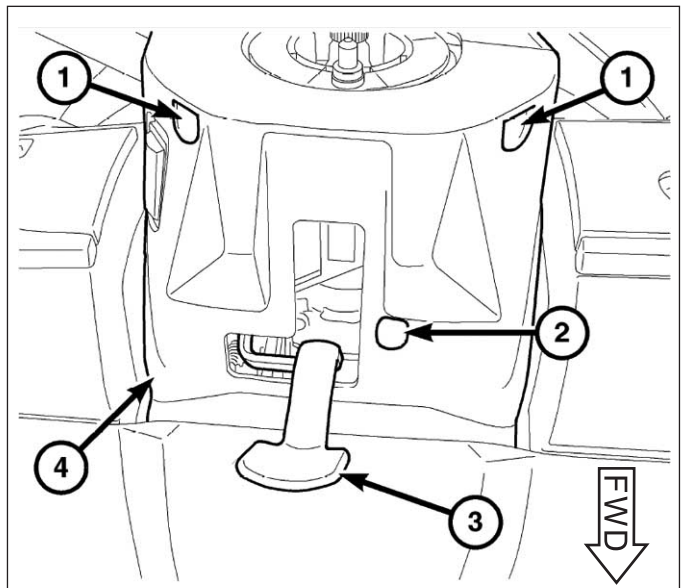
13. Remove the two screws (1) attaching the upper shroud to the lower shroud. After removing the screws, unclip the upper and lower shrouds from one another by applying hand pressure along the seams where the shrouds connect on the sides.

14. Remove the upper shroud.

15. Remove the remaining screw (2) attaching the lower shroud (4) to the column.

16. Remove the lower shroud.

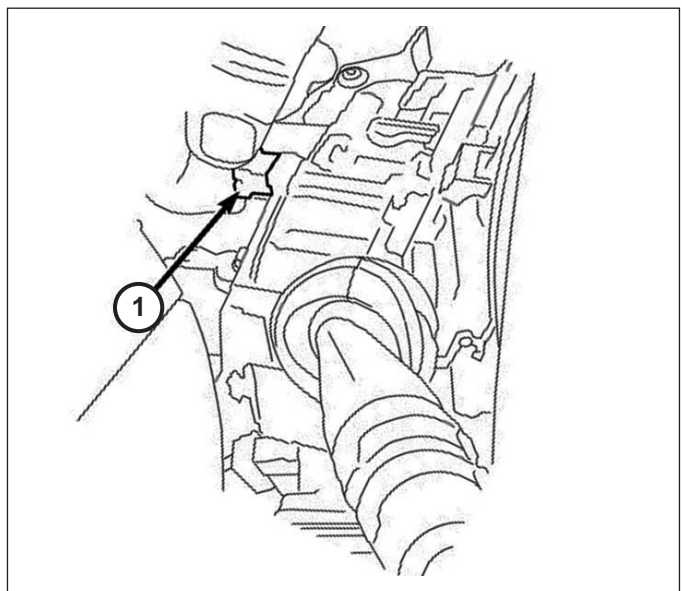
17. Push the tilt lever (3) upward, locking the column in place.



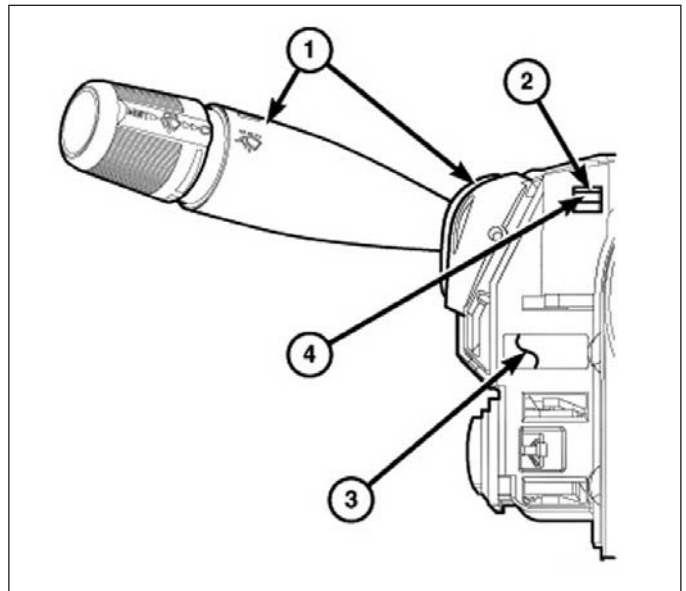
18. Disconnect the instrument panel wire harness connector (1) from the connector receptacle on the back of the multi-function switch housing.

**WARNING:**

To avoid serious or fatal injury on vehicles equipped with airbags, disable the Supplemental Restraint System (SRS) before attempting any steering wheel, steering column, airbag, seat belt tensioner, impact sensor or instrument panel component diagnosis or service. Disconnect and isolate the battery negative (ground) cable, then wait two minutes for the system capacitor to discharge before performing further diagnosis or service. This is the only sure way to disable the SRS. Failure to take the proper precautions could result in accidental airbag deployment.

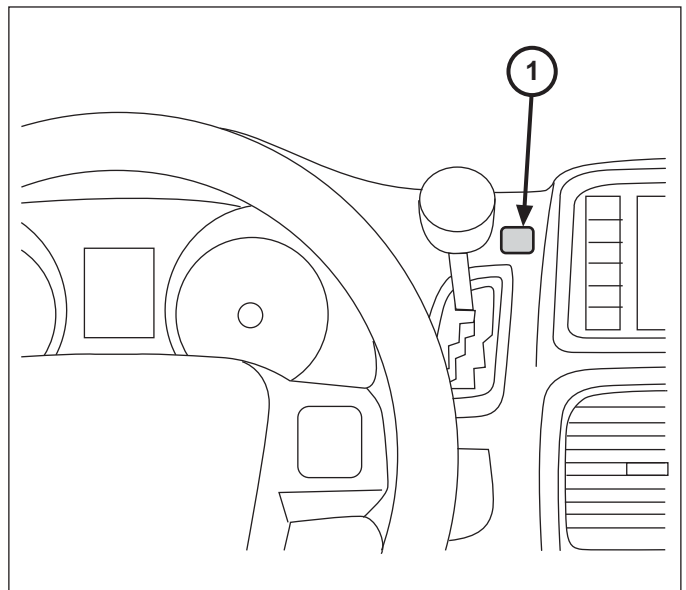


19. Working through the access window (2) of the mounting bracket (3) integral to the left side of the clockspring, depress the tab (4) of the latch feature integral to the multi-function switch (1) housing far enough to disengage the latch.
20. While holding the latch disengaged, slide the switch upward and out of the receptacle in the mounting bracket.

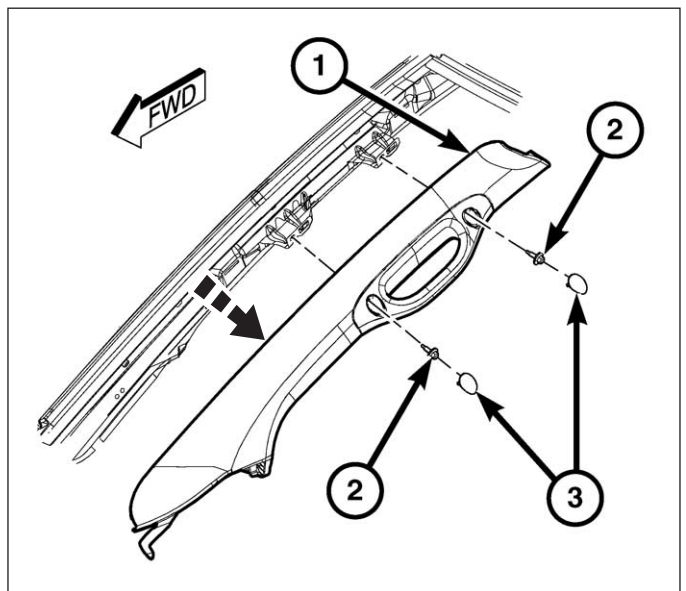
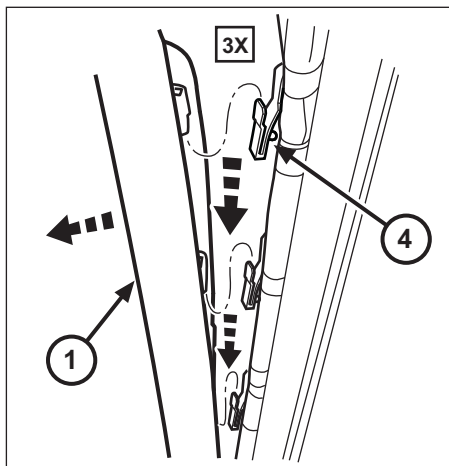


**21. Apply parking brake.**

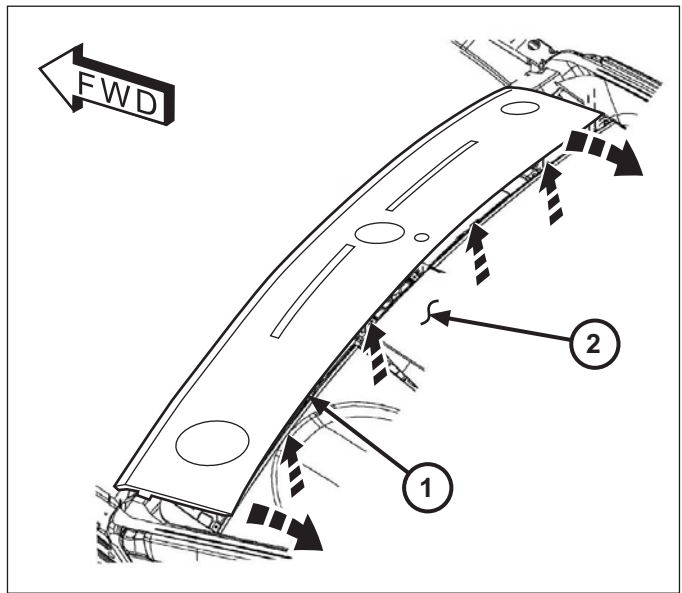
22. Using a small trim tool or similar tool, remove the shift lever override access cover (1).
23. Push and maintain firm pressure on the brake pedal.
24. Insert a screwdriver or similar tool into the access hole and push and hold the override release lever forward.
25. Move the shift lever to the NEUTRAL position.



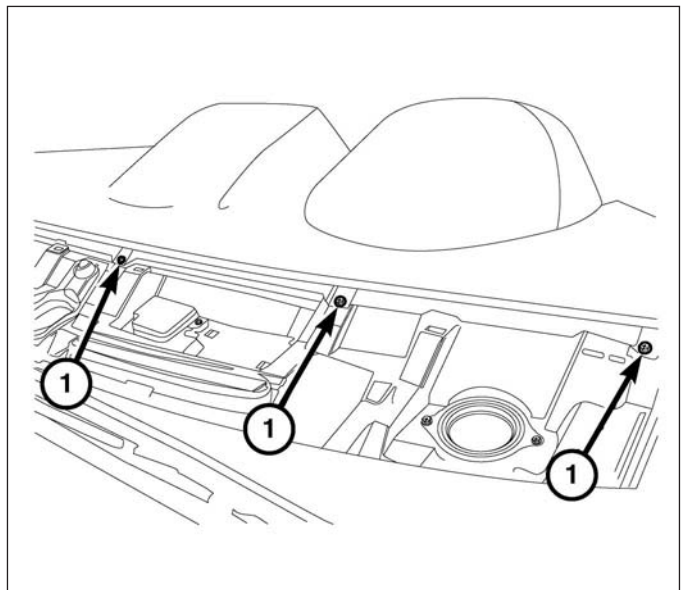
26. Remove fastener covers (3) from A-pillar trim panel. Remove fasteners (2). Remove A-pillar trim panel (1). Disengage safety straps (4) behind trim panel (1). Repeat for opposite side of vehicle.



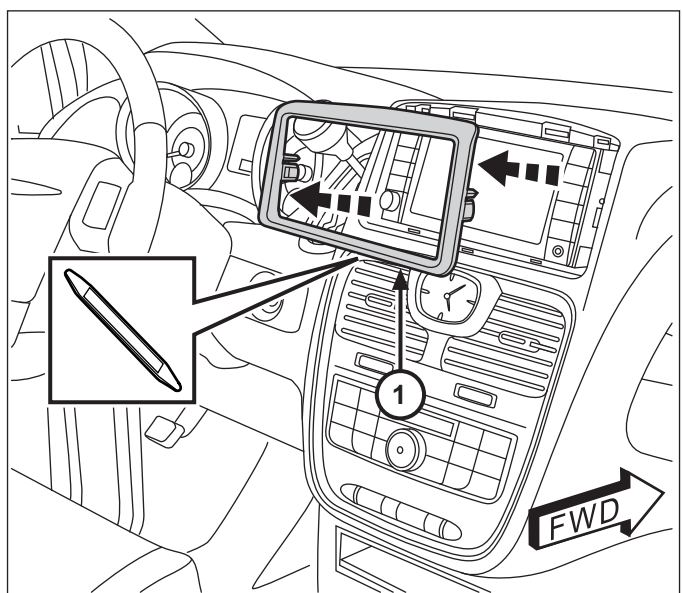
27. Using a trim stick or equivalent, disengage the retaining tabs that secure the rear of the instrument panel top cover (1) to the instrument panel (2).
28. Pull the instrument panel top cover (1) rearward to disengage the retaining tabs at the front of the cover and remove the cover.



29. Remove the six fasteners (1) securing the instrument panel top pad to the structure.

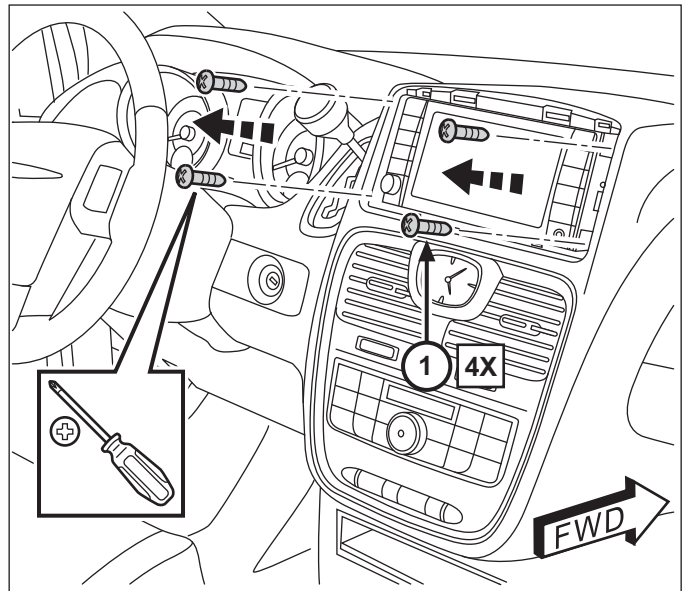


30. Using a trim stick or equivalent, remove the radio bezel (1).

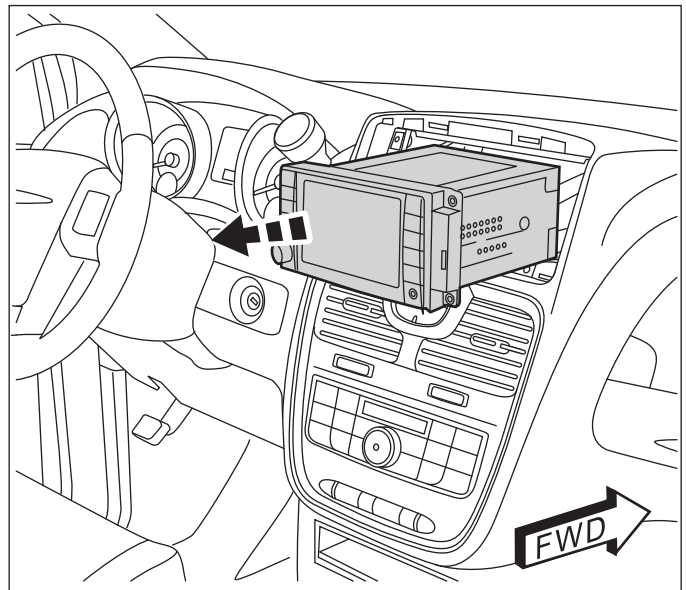




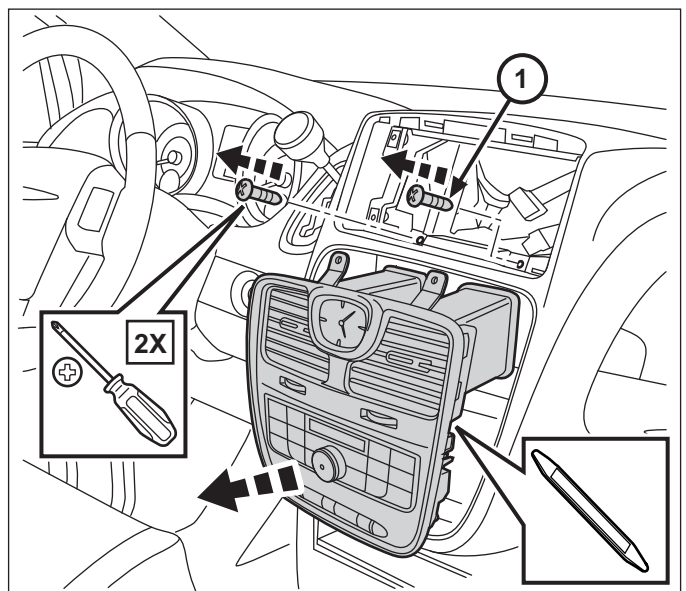
31. Remove four fasteners (1) from corners of radio.



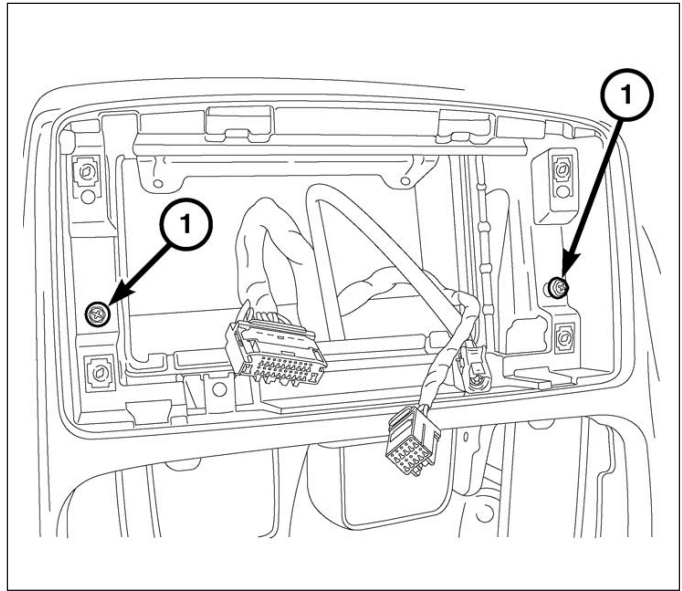
32. Remove the radio. Disconnect all plugs from behind.



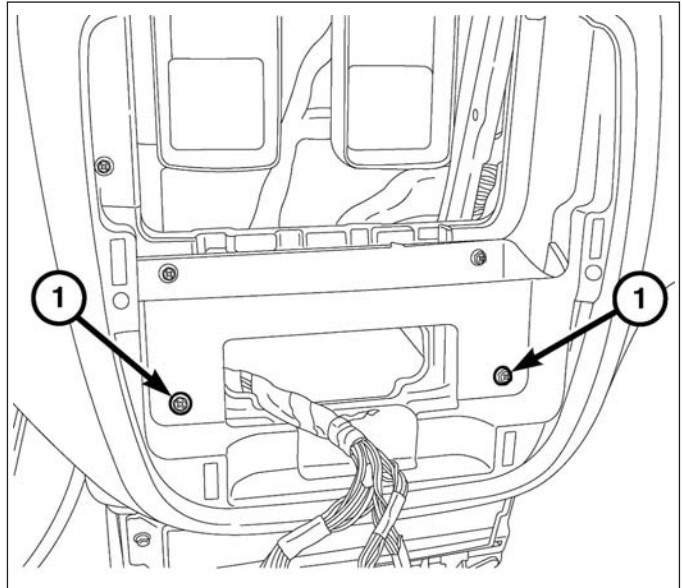
33. Remove two fasteners (1) from the radio cavity area.  
Using a trim stick or equivalent, remove the center bezel.  
Disconnect all plugs from behind.



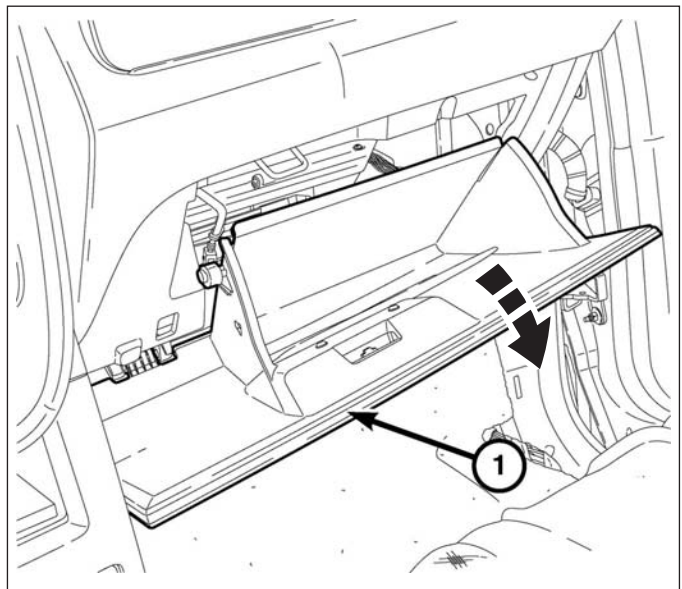
34. Remove the two top pad to structure fasteners (1) located in the radio cavity area.



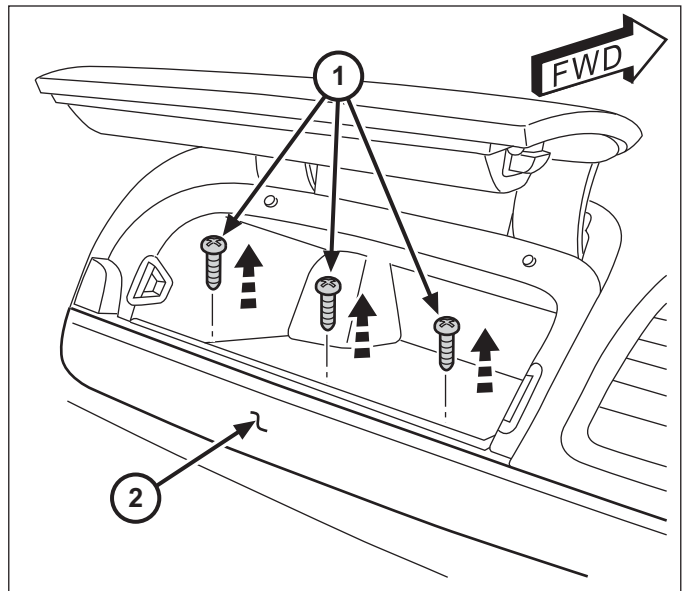
35. Remove the two fasteners (1) located in the HVAC control cavity area.



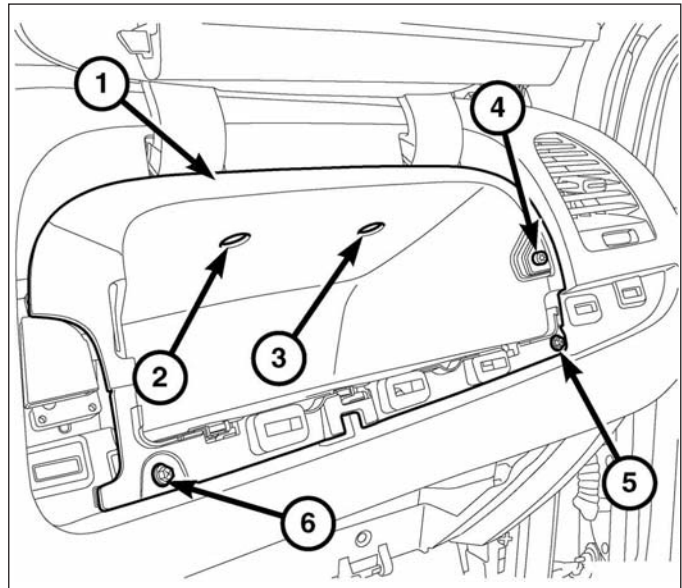
36. Disconnect the retractor cable from the lower glovebox. Remove the lower glove box (1).



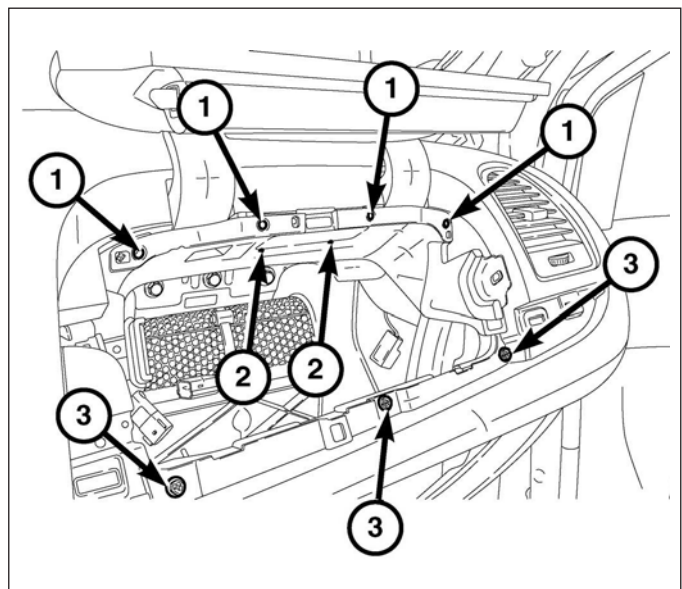
37. Open the upper glove box door.
38. Remove the fasteners (1) from the instrument panel trim bezel (2).
39. Using a trim stick or equivalent, remove the trim bezel (2) from the instrument panel.



40. Remove the fasteners (2, 3, 4, 5, 6) from the upper glove box (1).
41. Using a trim stick or equivalent, remove the upper glove box (1) from the instrument panel.
42. If equipped, remove the USB connector from the upper glove box.

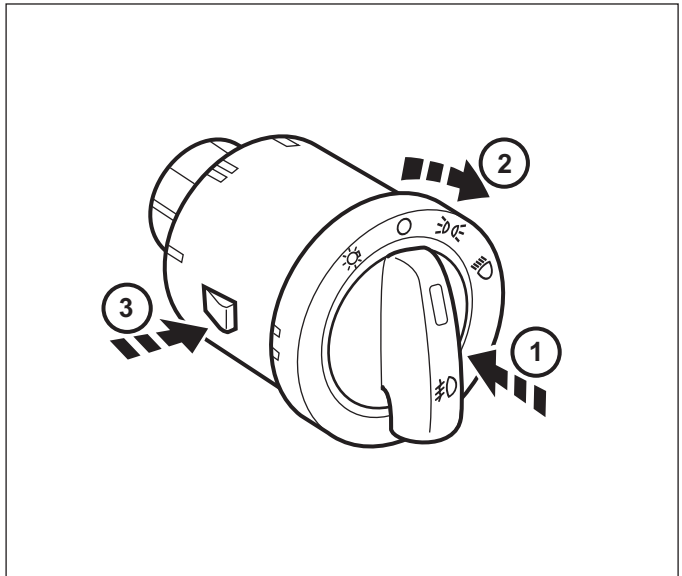


43. Remove the fasteners (1, 2) from the upper glove box door (1).
44. Using a trim stick or equivalent, remove the upper glove box door (1) from the instrument panel.
45. Remove the three top pad to structure fasteners (3) located in the upper glove box cavity area.
46. Remove the passenger side airbag fasteners from the I/P reinforcement bracket and disconnect the squib connectors.

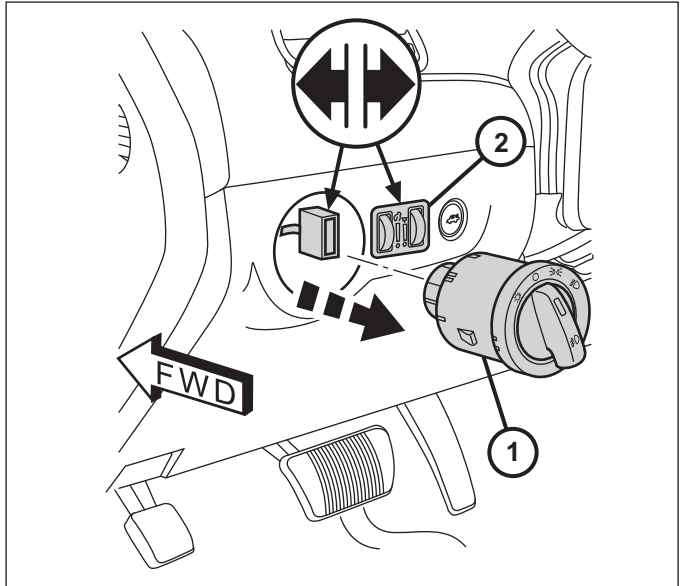


**REMOVE LIGHT SWITCH**

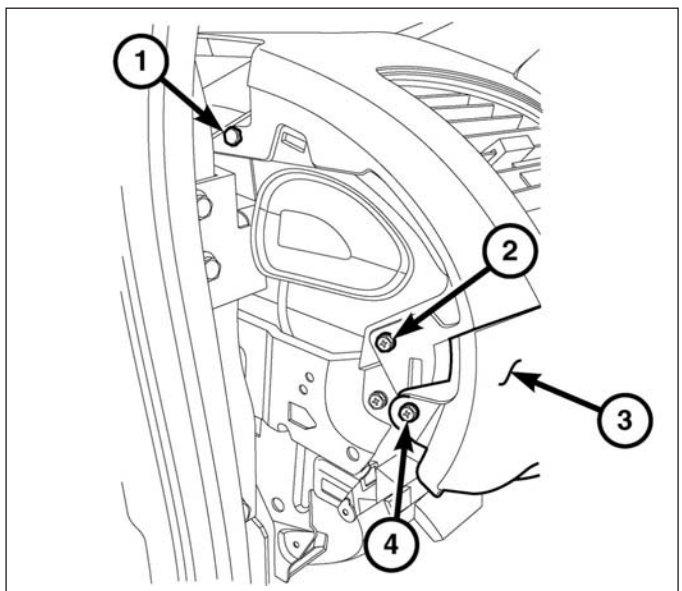
47. Turn the knob to the OFF position.
48. Push in on the knob to engage the retractor mechanism.
49. With the knob pushed in, rotate the knob clockwise (right) to retract the two retaining tabs.



50. Remove the light switch (1) from the dash panel and disconnect the plug. Disconnect the plug behind the panel for the dimmer switch (2).

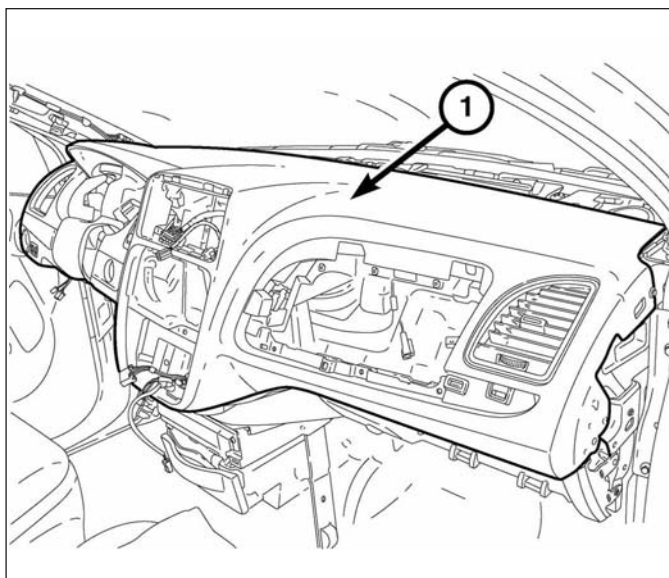


51. Remove the fastener (4) securing the light switch panel (3) to the instrument panel.
52. Remove the fasteners (1, 2) securing the top pad to the structure. Repeat on opposite side.

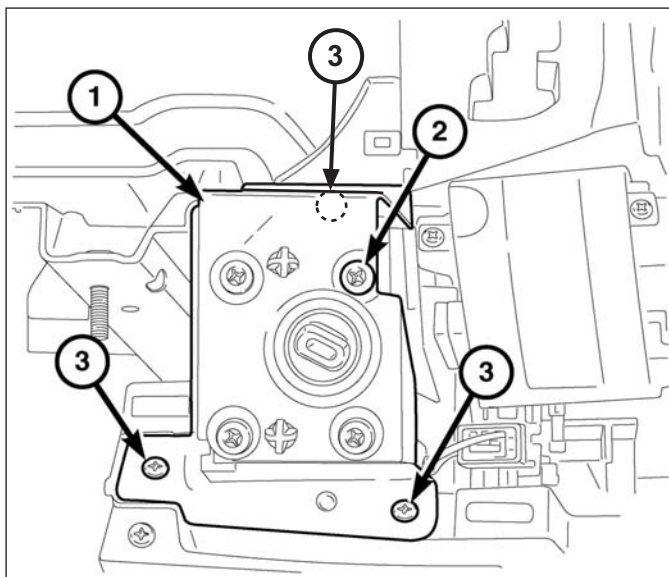


53. Pull the instrument panel top pad (1) rearward to disengage the retaining clips that secure the top pad to the structure.
54. Lift upward and rearward to remove the instrument panel top pad (1) from the vehicle.

**NOTE:** Seek assistance to aid in removal of panel.



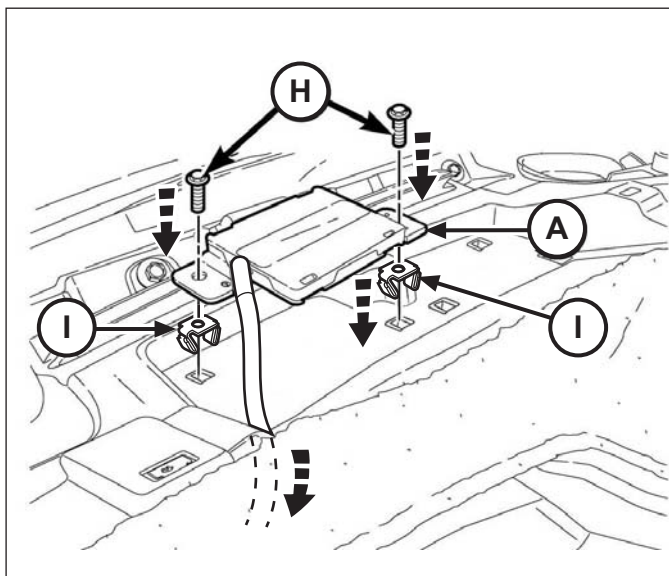
55. Remove the three fasteners (3) securing the WIN bracket (1) to the instrument panel cover.
56. Remove the fasteners (2) to separate the WIN module from the bracket.



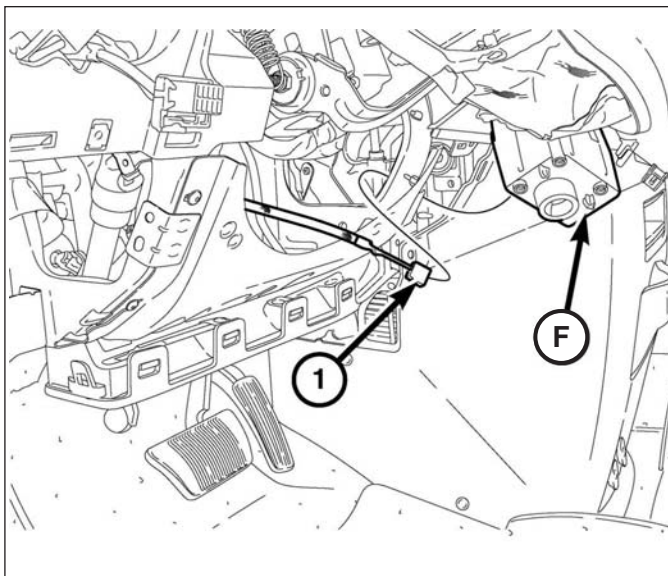
57. If necessary, pull back the I/P insulator to access the remote start antenna cavity located on top of the I/P base panel near the driver side.

#### INSTALL NEW PARTS

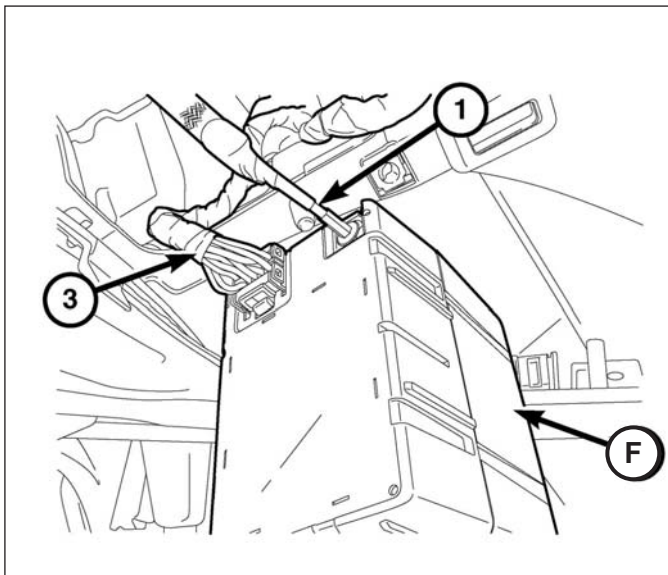
58. Install push nuts (I) at screw mounting locations.
59. Using the kit supplied antenna (A), route the antenna harness through the opening in the instrument panel top near the bottom left edge of the remote start antenna cavity.
60. Place the antenna (A) into the cavity, onto the locating pins and install the mounting screws (H). Tighten the screws securely.



61. Route the antenna harness (1) through to the lower steering column opening.
62. Continue routing the antenna harness (1) behind the kneeblocker towards the WIN module (F).
63. Disconnect the harness from the WIN module (F) and discard the original WIN module.

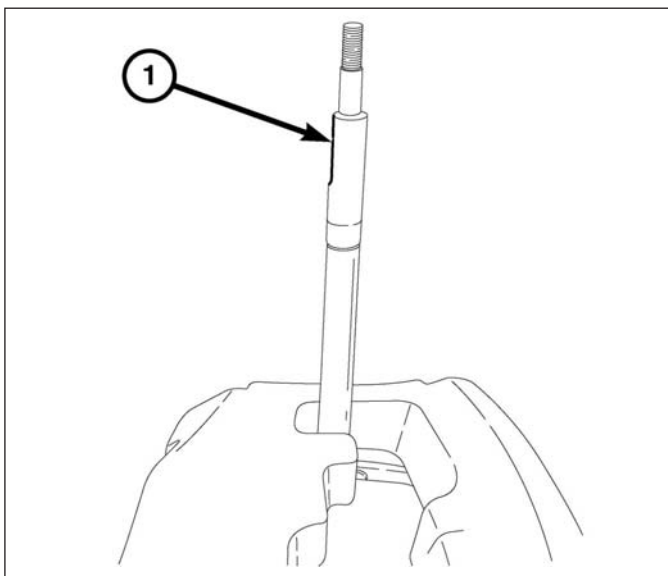


64. Using the kit supplied WIN module (F) , connect the factory harness (3) and the antenna harness (1) to the WIN module.

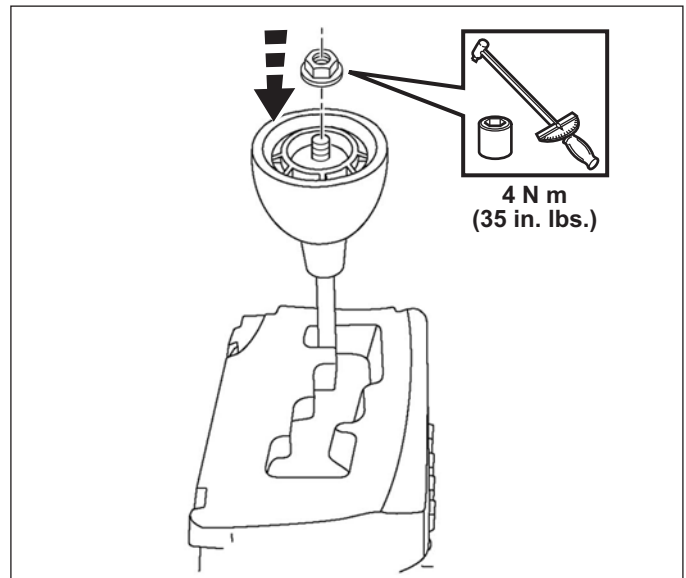


**65. REVERSE STEPS 7 THROUGH 53 TO REINSTALL ALL VEHICLE COMPONENTS AND TRIM PANELS.**

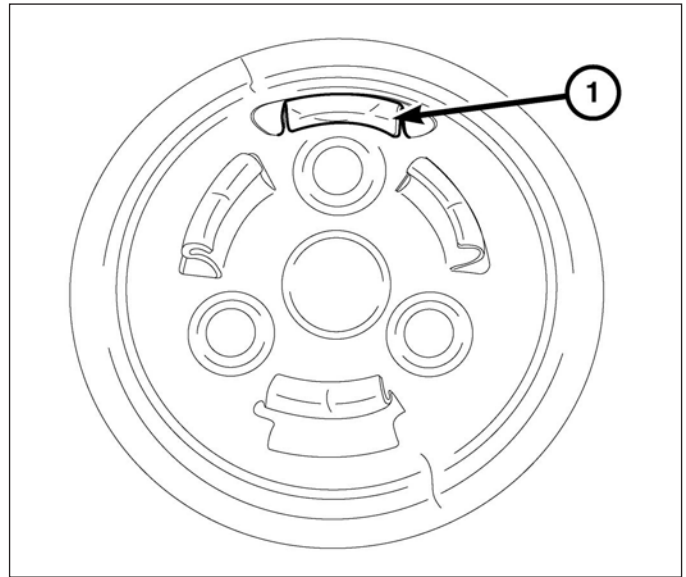
66. **PLACE SHIFT LEVER BACK IN "PARK"** (refer to Steps 19 through 21). Install the knob to the shift mechanism shaft (1). The shaft has a flat locating feature to aid in installation.
67. Install the shifter knob to the shifter mechanism by firmly pushing downward until seated.



68. Install the nut to the shifter shaft. Tighten the nut to 4 N•m (35 in. lbs.).



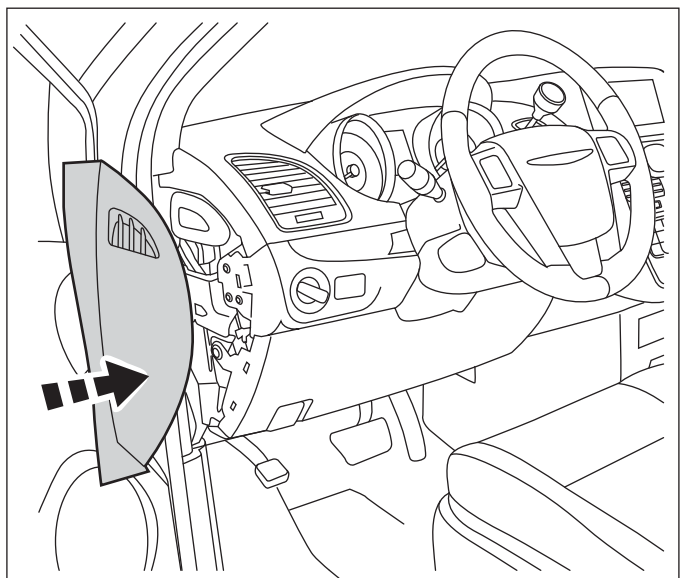
69. Line up the shifter knob bezel locating tab (1) prior to installing onto the knob. The tab will be in the 12:00 position.



70. Reinstall the instrument panel end cap. Repeat on opposite side.

71. Check all wiring and trim all cable ties.

72. Reconnect battery. Tighten battery cables to 5 N m (45 in-lbs).



**NOTE:** The wiTECH software level must be at the latest release to perform these procedures.

**NOTE:** On vehicles equipped with the Sentry Key Immobilizer System (SKIS), when the Wireless Ignition Node (WIN) is replaced with a new unit, a diagnostic scan tool **MUST** be used to initialize the new WIN and to program at least two Sentry Key FOBIK transponders before the vehicle can be operated.

**CAUTION:** Read all notes and cautions for programming procedures.

**CAUTION:** If the PCM and WIN are replaced at the same time, the PCM **MUST** be programmed before the WIN.

**NOTE:** If the vehicle is equipped with "Key N Go" push button ignition, the PEM Module Programming procedure must be performed in addition to this procedure.

**NOTE:** Do not put a laptop or any wireless device (cell phones, audio devices etc.) near the top of the center console (a passive entry antenna is located below the center console).

### **PROGRAMMING THE WIN**

1. Connect a battery charger to the vehicle.
2. Insert one (1) new Key Fob in the ignition and turn to "RUN."
3. Remove old FOBs from vehicle. Be sure old FOBs are not in proximity of vehicle.
4. With the wiTECH diagnostic application, perform the following steps:
  - Select "WIRELESS CONTROL MODULE (WCM)"
  - Select the "MISCELLANEOUS FUNCTIONS" tab
  - Highlight "WIN REPLACED"
  - Select the "Start Misc Function" button
  - Select "NEXT"
  - Enter the PIN when prompted.
  - Select "NEXT"
  - Verify that the PIN number is correct
  - Once verified select "NEXT"
  - Select "NEXT"
  - Note OnScreen instructions and select the "FINISH" button
  - Cycle ignition key after the successful routine completion.

### **PROGRAMMING IGNITION KEYS TO THE WIN**

1. Connect a battery charger to the vehicle.
2. With the wiTECH diagnostic application, perform the following steps:
  - Select "WIRELESS CONTROL MODULE (WCM)"
  - Select the "MISCELLANEOUS FUNCTIONS" tab
  - Highlight "PROGRAMMING IGNITION KEYS OR KEY FOBs"
  - Select "NEXT"
  - Enter the PIN when prompted.
  - Select "NEXT"
  - Verify that the PIN number is correct
  - Once verified select "NEXT"
  - Note OnScreen instructions and select the "FINISH" button
  - Cycle ignition key after the successful routine completion.

**NOTE:** If the original keys do not successfully program to the new WIN after the proper procedures are followed correctly, programming new keys will be necessary.

**NOTE:** A maximum of eight keys can be learned by the WIN. Once a key is learned by a WIN, that key has acquired the Secret Key for that WIN and cannot be transferred to any other vehicle.

### **PEM MODULE PROGRAMMING (IF NEEDED)**

**NOTE:** Perform this procedure on vehicles equipped with "Key N Go" push button ignition.

1. Connect a battery charger to the vehicle.
2. With the wiTECH diagnostic application, perform the following steps:
  - Select the "PASSIVE ENTRY MODULE"
  - Select the "MISCELLANEOUS FUNCTIONS" tab
  - Highlight "PEM REPLACED"



**ECU RESET**

1. Connect a battery charger to the vehicle.
2. With the wiTECH diagnostic application, perform the following steps:
  - Select "VEHICLE VIEW"
  - Select the "DIAGNOSTIC PROCEDURES" tab near the bottom of the screen
  - Highlight "RESET ECU"
  - Note OnScreen instructions and select the "NEXT" button
  - Select "WIRELESS CONTROL MODULE (WCM)"
  - Select the "CONTINUE" button

**WINDOW CALIBRATION (IF NEEDED)**

**NOTE: Vehicles equipped with the auto up feature must have the windows calibrated after a battery disconnect.**

**NOTE: The door must be completely closed when starting this step.**

1. Sit in the driver seat and close the door.
2. Lower the window part of the way down.
3. Run the window to the full up position and continue to hold the switch for an additional two seconds.
4. Run the window to the full down position and continue to hold the switch for an additional two seconds.
5. Raise the window to the full up position.
6. Repeat the steps for the remaining windows.

**PROGRAM TIRE SENSOR IDs**

1. With the wiTECH diagnostic application, perform the following steps:
  - Select "WIRELESS CONTROL MODULE (WCM)"
  - Select the "MISCELLANEOUS FUNCTIONS" tab
  - Highlight each tire and follow the OnScreen instructions to program the tire ID.

**NOTE: In some cases, the leading "0" in the ID may not need to be entered.**

**UPDATE TIRE PRESSURE THRESHOLDS (IF NEEDED)**

**NOTE: The vehicle must be driven before the TPMS light will turn off.**

1. Connect a battery charger to the vehicle.
2. With the wiTECH diagnostic application, perform the following steps:
  - Select the "TIPMCGW"
  - Select the "MISCELLANEOUS FUNCTIONS" tab
  - Highlight and select "UPDATE PRESSURE THRESHOLDS"
  - Note OnScreen instructions and select the "NEXT" button
  - Verify current settings, select the "NEXT" button to change settings
  - Select "NEXT"
  - Enter the PIN when prompted.
  - Select "NEXT"
  - Verify that the PIN number is correct
  - Once verified, select "NEXT"
  - Select "NEXT"
  - Wait for the WCM/WIN to update its configuration
  - Once the WCM/WIN configuration is complete, select "NEXT"
  - Select "NEXT"
  - Note OnScreen instructions and select the "FINISH" button

**TEMPORARY REMOTE START DISABLE**

1. Connect a battery charger to the vehicle.
2. With the wiTECH diagnostic application, perform the following steps:
  - Select the "TIPMCGW"
  - Select the "MISCELLANEOUS FUNCTIONS" tab
  - Highlight and select "TEMPORARY REMOTE START DISABLE"
  - Note OnScreen instructions and select the "NEXT" button
  - Select the "DISABLE" button to activate the remote start function
  - Select "YES" to reset the module and exit the routine, select "NO" to toggle the value back
  - Select "FINISH"

**CLEAR ALL DTCS**

**NOTE: It may be necessary to start the engine and turn the steering wheel lock to lock.**

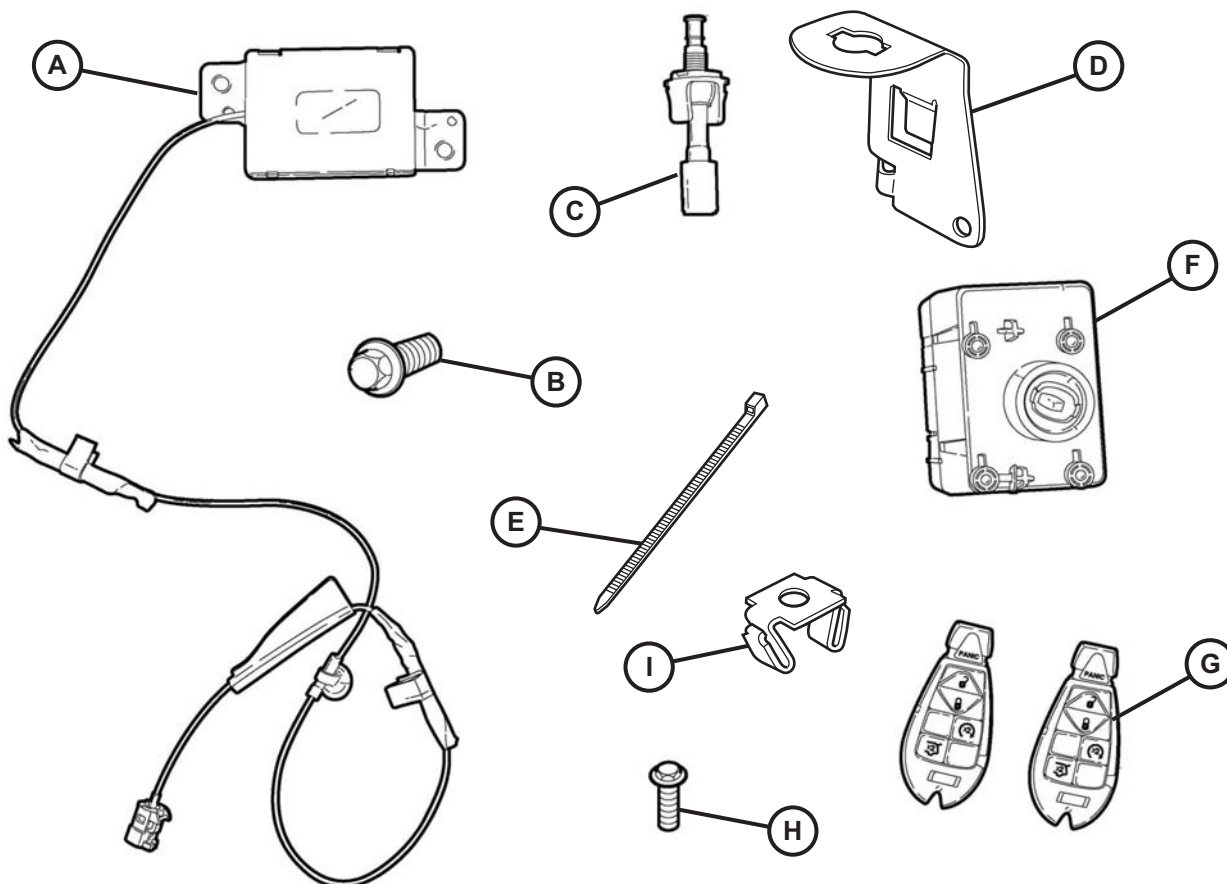
**TEST THE REMOTE START**

With the vehicle off, and the doors closed and locked, verify the remote start is functioning properly.

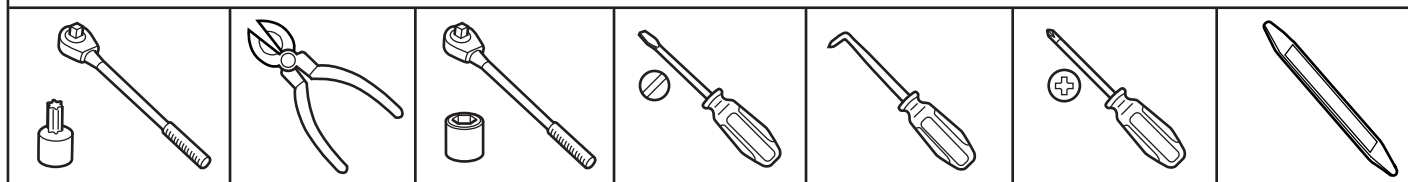


# CHRYSLER TOWN & COUNTRY / DODGE CARAVAN DÉMARRAGE À DISTANCE

www.mopar.com



RÉFÉRENCE	DESCRIPTION	QUANTITÉ
A	Antenne WIN	1
B	Hotte boulon du support de commutateur entrouverte	1
C	Commutateur de capot ouvert	1
D	Hotte support de l'interrupteur entrouverte	1
E	Attache-câbles	12
F	Module d'allumage sans fil (WIN)	1
G	FOBIK	2
H	Boulons d'antenne WIN	2
I	Enfoncer écrou	2



**Maintenir toutes les vis pour la réinstallation**

**ATTENTION:**

Le démarrage à distance XBM peut être installé **SEULEMENT** sur les véhicules qui sont dotés des options suivantes installées en usine : boîte automatique, télédéverrouillage et antidémarrreur.

Pour les véhicules dotés d'une clé Fobik et du WIN, le code de ventes doit être ajouté à la base de données et la fonction Restaurer la configuration du véhicule (à l'aide de l'analyseur) doit être effectuée avant d'installer le nouveau module WIN. Le défaut de suivre cette consigne entraînera le non fonctionnement de la fonction de démarrage à distance du module WIN.

Le technicien devrait attendre 1/2 heure avant d'ajouter le code commercial XBM à DealerConnect avant d'installer le module WIN et de restaurer la configuration du véhicule. Pendant ce temps, le technicien peut installer tous les autres composants sauf le module WIN.

**REMARQUE:** Il est recommandé de lire soigneusement les instructions avant d'installer ce produit.

**ÉTAPES DE LA PROCÉDURE :****METTRE À JOUR LA CONFIGURATION DU VÉHICULE**

**REMARQUE:** Le niveau du logiciel wiTECH doit se situer à la plus récente édition pour exécuter cette procédure.

1. Le NIV doit être mis à jour avec le code commercial de l'accessoire ajouté pour autoriser la fonctionnalité du système. À l'aide du site Web DealerCONNECT et de la fonction de diagnostic wiTECH, compléter la configuration du véhicule.

**AJOUTER CODE DE VENTE XBM (démarrage à distance) DE VEHICULE EN DealerCONNECT**

2. Ouvrez une session à <https://dealerconnect.chrysler.com>
3. Sous l'onglet de Service, à l'intérieur de la case Administration de garantie, localisez « Vehicle Option Updates » (mises à jour des options de véhicules). Saisissez le code VIN du véhicule et ajoutez le code de ventes XBM (Démarrage à distance). Appuyez sur ENREGISTRER.
4. Confirmation que le nouveau code de vente a bien été ajouté au NIV dans le cadre du "option concessionnaire" près du bas de l'écran.

**RÉTABLIR VEHICULE CONFIGURATION**

5. À l'aide de l'application wiTECH de l'appareil de diagnostic, effectuez les étapes suivantes à partir de l'écran initial de démarrage:
  - Sélectionnez « DIAGNOSTIC PROCEDURES »
  - Sélectionnez « RESTORE VEHICLE CONFIGURATION »
  - Sélectionnez « CONTINUE »
  - Vérifiez que le numéro d'identification du véhicule est correcte
  - Une fois vérifié, sélectionnez le bouton «Corriger VIN»
  - Remarque instructions à l'écran et sélectionnez le bouton «Fermer»

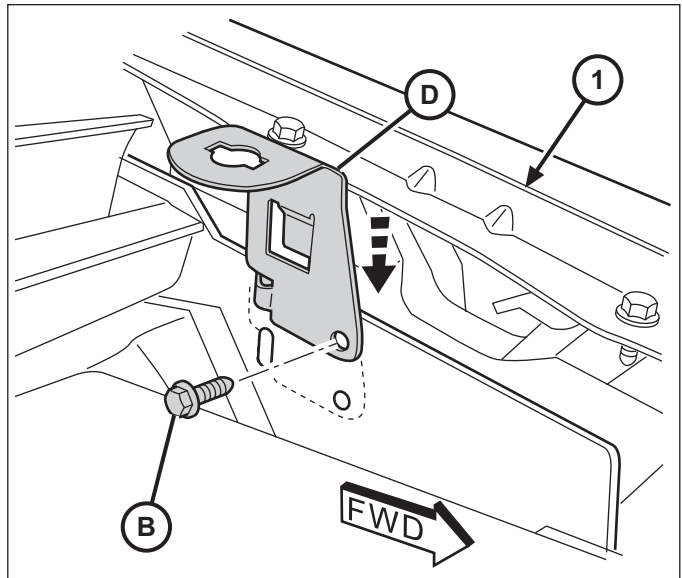
**ENREGISTRER CES INFORMATIONS AVANT DE DÉBRANCHER LA BATTERIE:**

6. Écrivez les noms et les valeurs de données pour chacun des pneus ID capteur de. Ceci sera nécessaire plus tard dans la procédure d'installation. À l'aide de l'application wiTECH de l'appareil de diagnostic, effectuez les étapes suivantes:
  - Sélectionnez « WIRELESS CONTROL MODULE (WCM) »
  - Sélectionnez l'onglet « DATA »
  - Notez les ID de capteurs pour les quatre pneus

**Obtenir 4 chiffres PIN chez un concessionnaire autorisé**

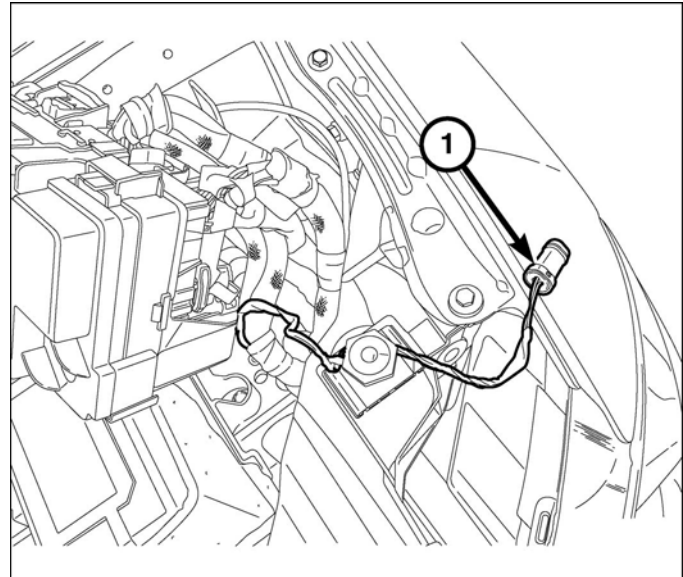
**INTERRUPTEUR, SUPPORT ET HARNAIS INSTALLATION**

1. Débrancher et isoler le câble négatif de la batterie.
2. Repérez l'emplacement de montage commutateur de capot, près de l'aile intérieure du côté du conducteur(1).
3. Positionnez le support de contacteur de capot ouvert (D) sur le côté conducteur de l'aile intérieure (1).
4. Installez l'attache de montage (B) fourni dans le kit de assurer la entrouverte support de contacteur de capot sur le côté du conducteur aile intérieure (1). Serrer la fixation en toute sécurité.



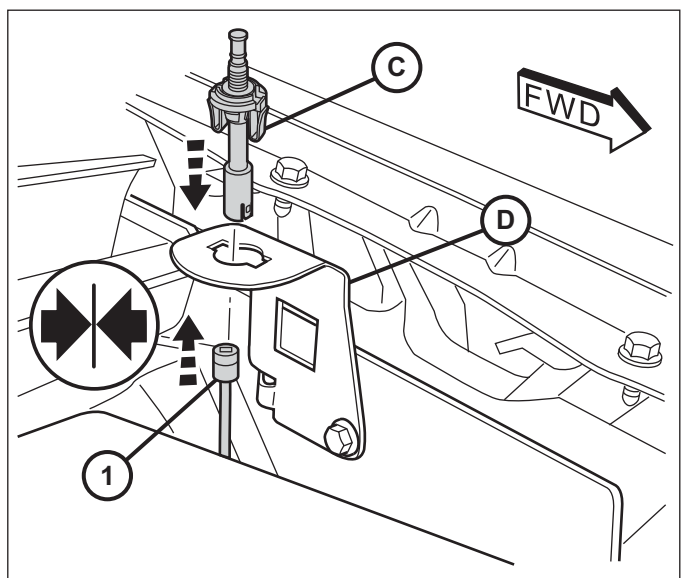
**REMARQUE: Selon l'équipement, il peut être nécessaire de repositionner ou de déposer le module d'alimentation électrique intégré pour localiser le faisceau de commutateur de capot installé en usine.**

5. Localiser le faisceau de démarrage du contacteur (1) situé près de la batterie et passant sous le module d'alimentation électrique intégré, collé sur le faisceau existant du véhicule.
6. Retirer le ruban de fixation du harnais décollage (1) à partir de le harnais de véhicule.



**REMARQUE: L'autoréglage du contacteur de capot entrouvert est une fonction à usage unique. Si le contacteur est endommagé, inefficace, retiré ou nécessite un réajustement, il doit être remplacé par un nouveau contacteur.**

7. Positionner le commutateur de capot entrouverte (C) près du trou dans la support (D) sur l'aile intérieure panneau latéral gauche de montage.
8. Tirez sur le connecteur de faisceau de câbles (1) à travers le commutateur support de montage et le connecter à la de capot ouvert interrupteur.
9. Du haut du support de montage, appuyez sur le capot interrupteur entrouverte vers le bas dans le trou de montage de la support jusqu'à ce que les onglets de verrouillage commutateur intégré le verrouiller en place.

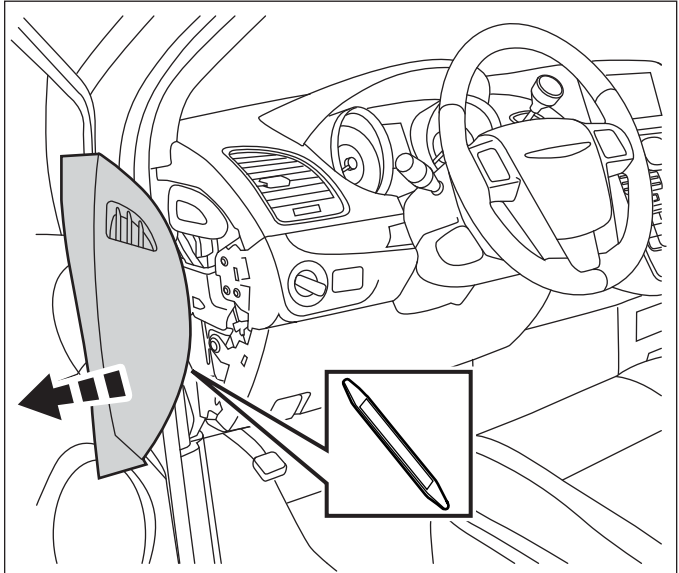


**POSE DU MODULE DE COMMANDE SANS FIL (WCM) ET DE L'ANTENNE DE DÉMARRAGE À DISTANCE AVERTISSEMENT:**

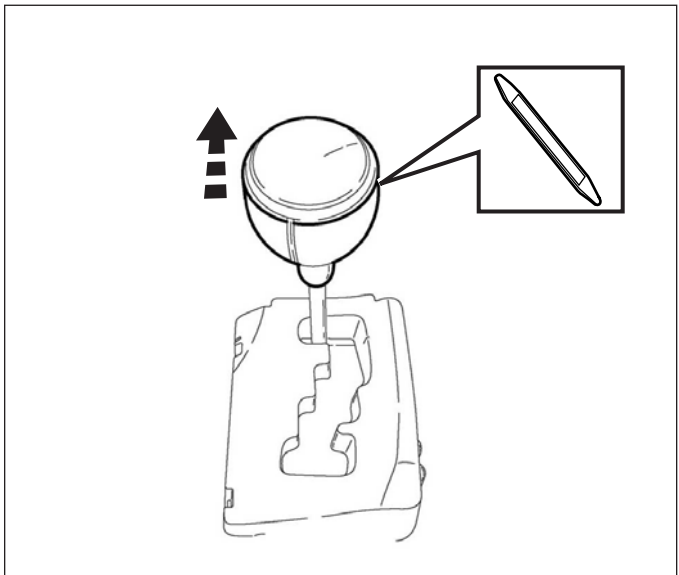
Désactiver le système de sac gonflable avant de tenter tout diagnostic ou toute réparation de composants du volant de direction, de la colonne de direction ou du tableau de bord. Débrancher et isoler le câble de tension négative de la batterie (masse), attendre ensuite deux minutes pour que le condensateur de système de sac gonflable se décharge avant d'effectuer un diagnostic plus approfondi ou une réparation. Il s'agit du seul moyen sûr de désactiver le système de sac gonflable. Le nonrespect des instructions suivantes pourrait provoquer un déploiement accidentel du sac gonflable et des blessures graves ou mortelles.

**REMARQUE:** Prendre les précautions nécessaires pour protéger la face avant du tableau de bord contre des dommages cosmétiques durant cette procédure de réparation.

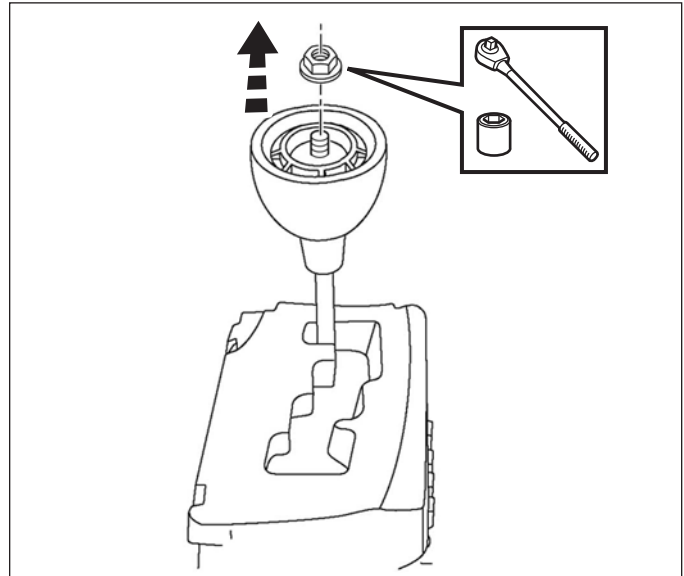
1. En utilisant une baguette de garnissage ou équivalent, enlever le bouchon de fin à partir du tableau de bord. Répétez sur le côté opposé.



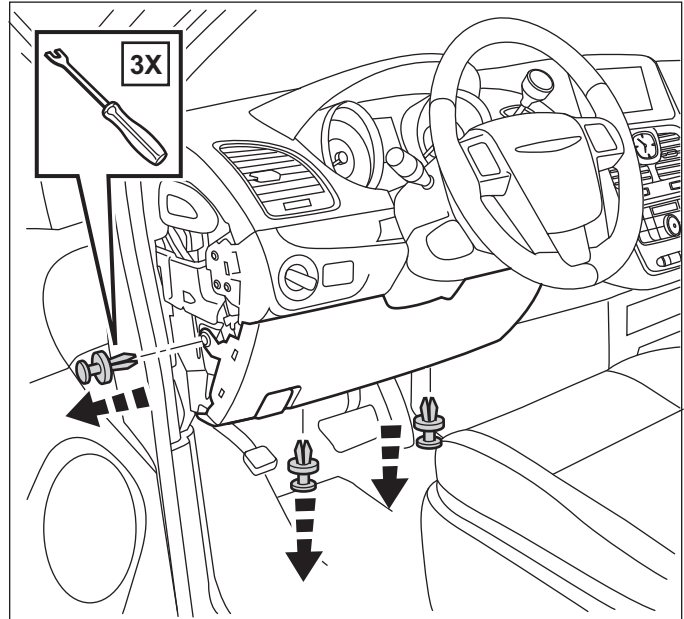
2. L'utilisation d'un outil de baguette de garnissage, soulevez avec précaution entre le bouton et la lunette en plastique dessous de l'anneau chromé pour retirer la couverture de shifter du pommeau de levier de.



5. Retirer l'écrou de l'arbre de levier de vitesses.
6. Retirez le pommeau de levier de du mécanisme de levier de vitesses par tirant fermement vers le haut.

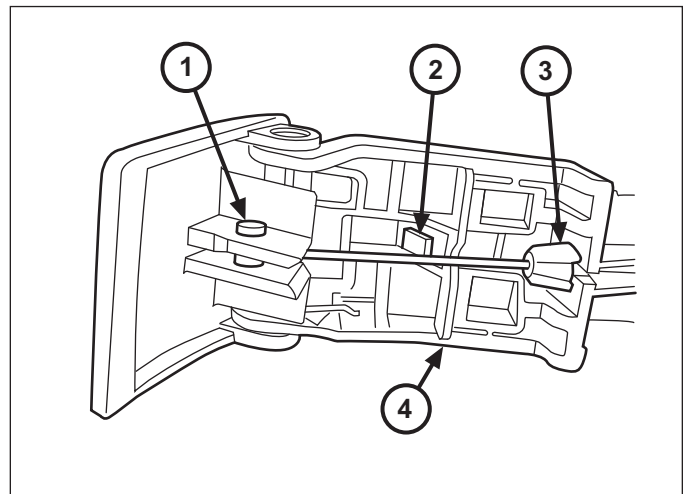


7. Retirer les éléments de fixation inférieurs de la colonne de direction ouverture du couvercle.
8. Retirer l'attache située sur la fixation de côté extérieur la couverture de l'ouverture de colonne de direction à l'instrument structure de panneau.
9. Débranchez toutes les fiches et retirez port de diagnostic à partir de derrière le couvercle.

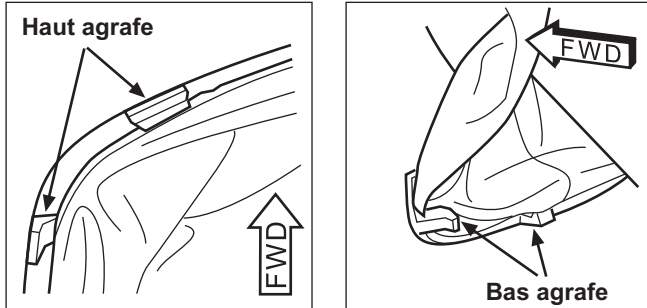


#### 10. POUR RETIRER HOOD PRESSE:

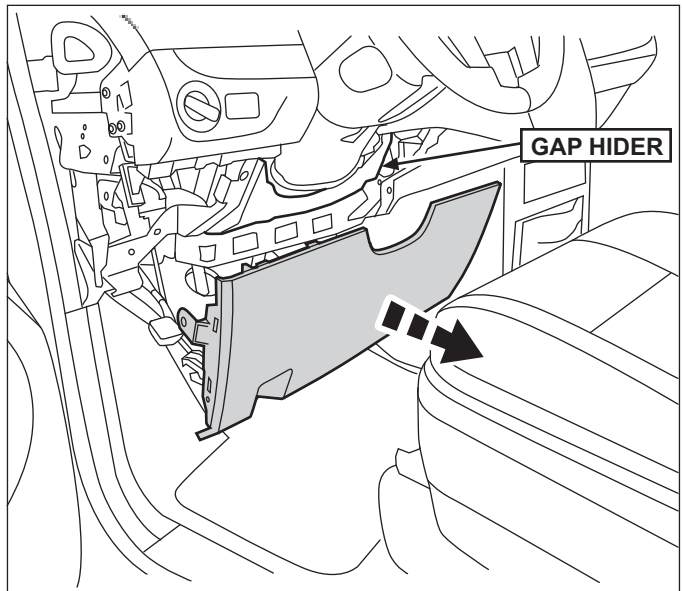
Soulevez la languette de retenue (2) et faites glisser la poignée (4) vers l'avant. Appuyez sur les pattes et libérer le câble (3) de la poignée puis retirez l'extrémité du câble (1).



**NOTE:** Avant de retirer les panneaux de garniture suivantes, utiliser une baguette de garnissage pour libérer les clips autour du cuir écart hider ci-dessus et en dessous de la colonne de direction. Faites attention à ne pas casser les clips.



11. L'utilisation d'un outil de baguette de garnissage ou équivalent, retirez la direction colonne couvercle d'ouverture du tableau de bord.



12. Pousser le levier de réglage d'inclinaison (3) vers le bas à la position dégagée.

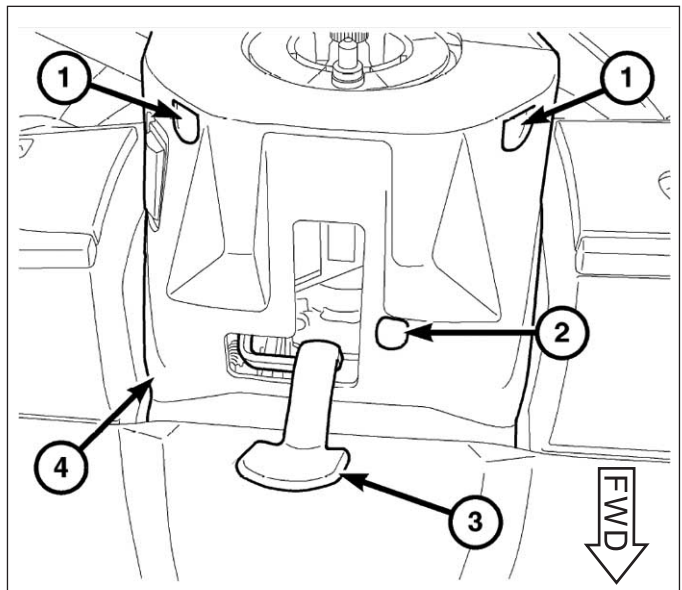
13. Enlevez les deux vis (1) fixant l'enveloppe supérieure à l'enveloppe inférieure. Après avoir retiré les vis, dégrafer les flasques supérieur et inférieur d'un de l'autre en appliquant de la pression manuelle le long des rivures où les flasques sont branchés aux côtés.

14. Déposer le flasque supérieur.

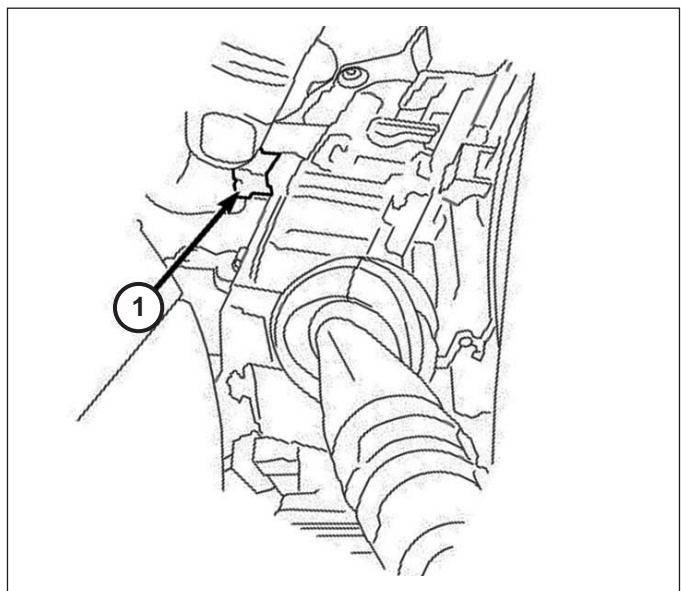
15. Retirer les vis restantes (2) qui fixent le flasque inférieur (4) à la colonne de direction.

16. Déposer le flasque inférieur.

17. Pousser le levier de réglage d'inclinaison (3) vers le haut pour verrouiller la colonne de direction.



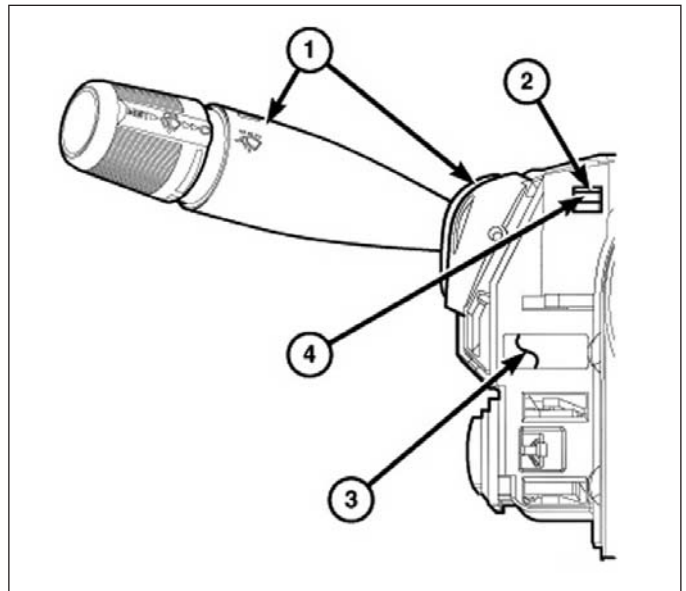
18. Débrancher le connecteur de faisceau de câbles du tableau de bord (1) à partir du réceptacle de connecteur sur le dos de la multi-fonction boîtier du commutateur.



**ATTENTION:**

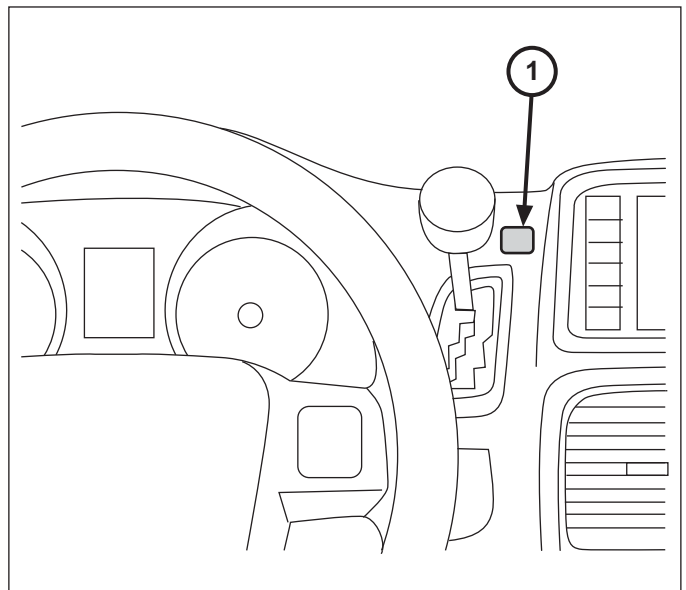
Pour éviter les blessures graves ou mortelles sur les véhicules équipés d'airbags, désactiver le système de retenue supplémentaire (SRS) avant de tenter toute volant, la colonne de direction, airbag, ceinture de tendeur, capteur d'impact du tableau de bord de diagnostic de composant ou service. Débrancher et isoler le câble négatif de la batterie (terre), puis attendre deux minutes pour que le condensateur de système pour décharger avant d'effectuer un diagnostic ou d'un service plus loin. Ceci est le seul moyen sûr de désactiver le SRS. Le défaut de prendre les précautions appropriées pourrait entraîner le déploiement de l'airbag accidentelle.

19. Par l'intermédiaire de la fenêtre d'accès (2) de la monture le support (3) solidaire de la partie gauche du ressort spiralé, appuyez sur la patte (4) de la fonction de verrouillage intégrante de la commutateur multifonctions (1) logeant assez loin pour désengager le loquet.
20. Tout en maintenant le verrou désengagé, faites glisser le commutateur vers le haut et hors du réceptacle dans le support de montage.

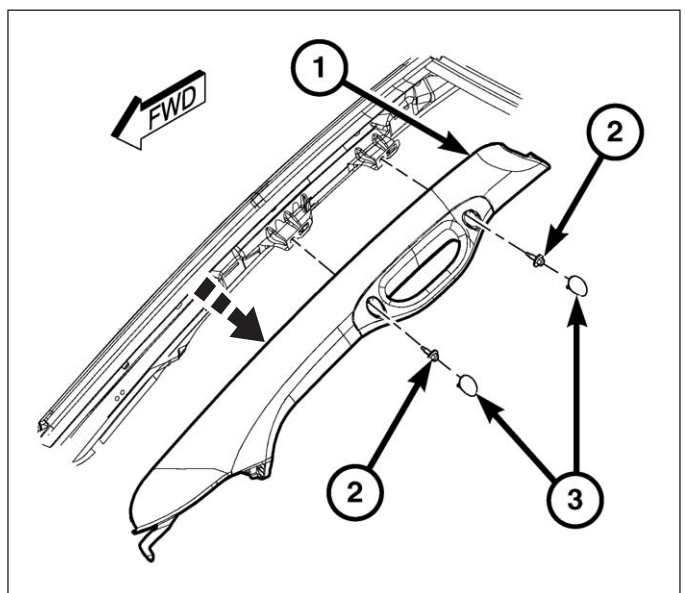
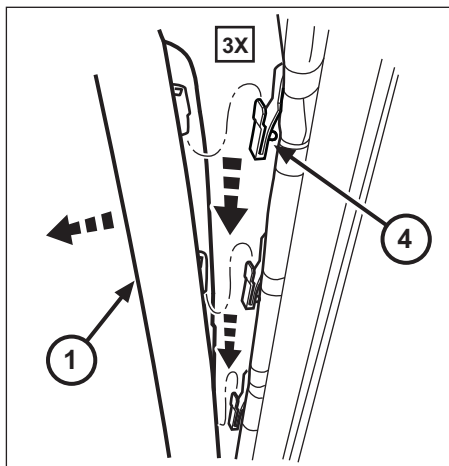


**21. Appliquer le frein de stationnement.**

22. L'utilisation d'un outil de garniture petite ou un outil similaire, retirez le couvercle d'accès prioritaire du levier de vitesse (1).
23. Pousser et maintenir la pression ferme sur la pédale de frein.
24. Insérez un tournevis ou un outil similaire dans le trou d'accès et appuyez et maintenez le levier de libération de dérogation avant.
25. Déplacer le levier de vitesse à la position NEUTRE.



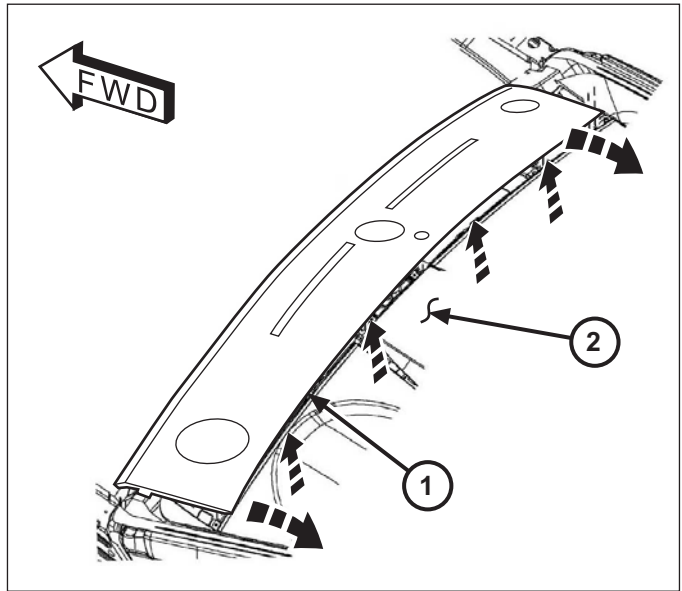
26. Oter les couvercles de fixation (3) du panneau de garniture A-pilier. Retirer les attaches (2). Retirer A-pilier panneau de garniture (1). Dégager sangles de sécurité (4) derrière le panneau de garniture (1). Répéter pour l'autre côté du véhicule.



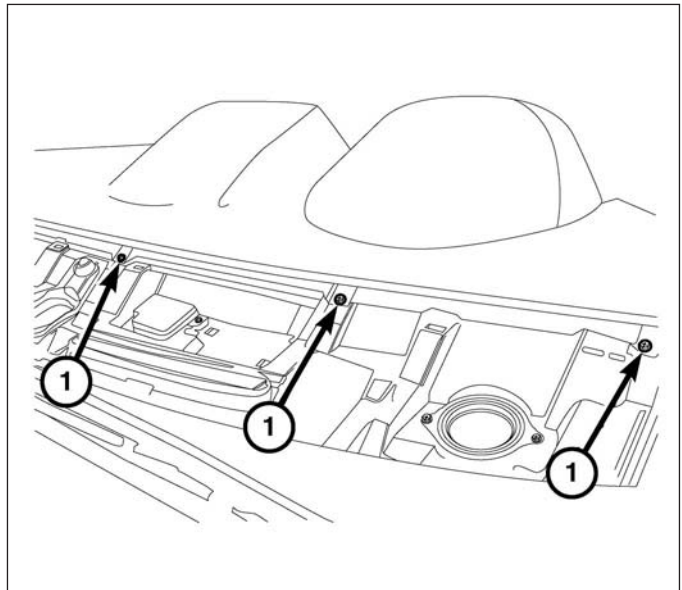


27. A l'aide d'une baguette de garnissage ou d'un outil équivalent, libérer les languettes de retenue qui fixent l'arrière du couvercle supérieur de tableau de bord (1) au tableau de bord (2).

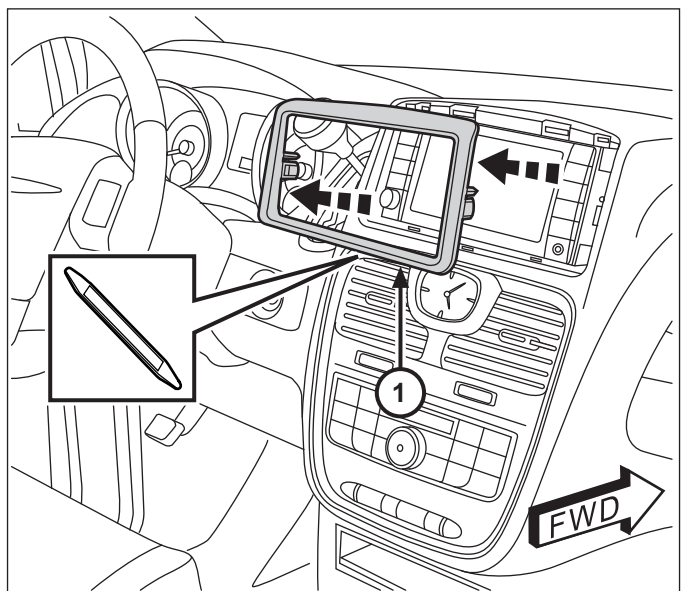
28. Tirer le couvercle supérieur du tableau de bord (1) vers l'arrière pour dégager les languettes de retenue à l'avant du couvercle et déposer le couvercle.



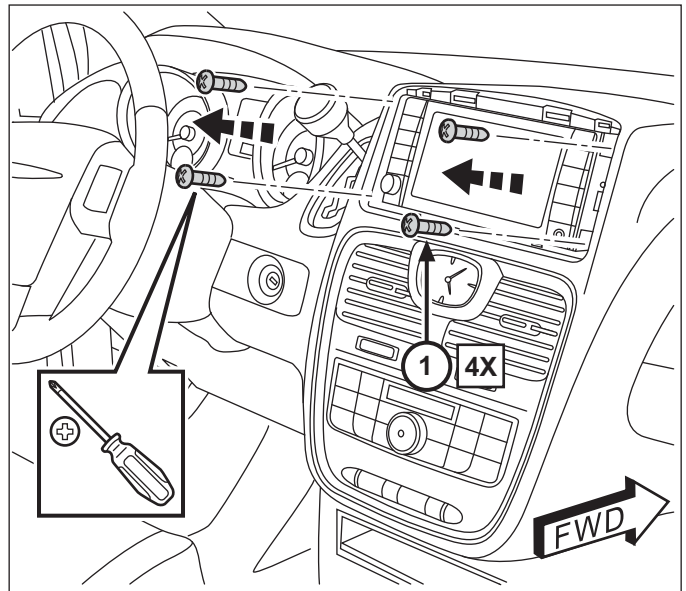
29. Déposer les six pièces de retenue (1) qui fixent le coussin supérieur du tableau de bord à l'armature du tableau de bord.



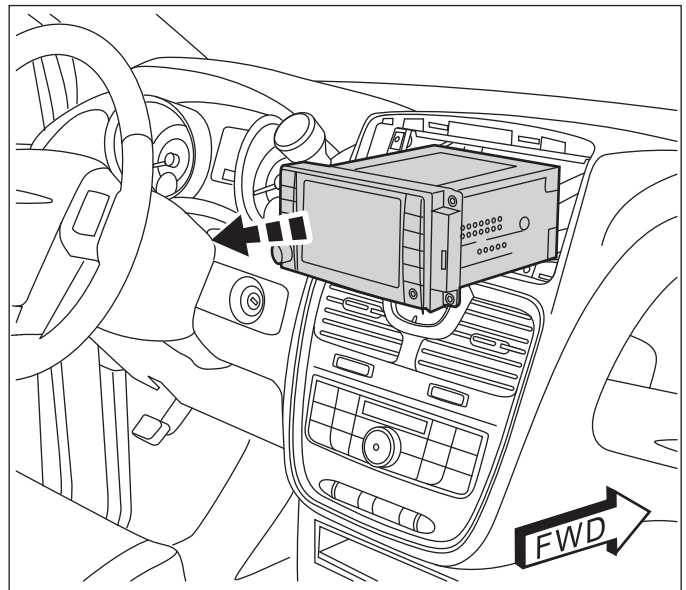
30. A l'aide d'une baguette de garnissage ou d'un outil équivalent, déposer l'encadrement d'autoradio (1).



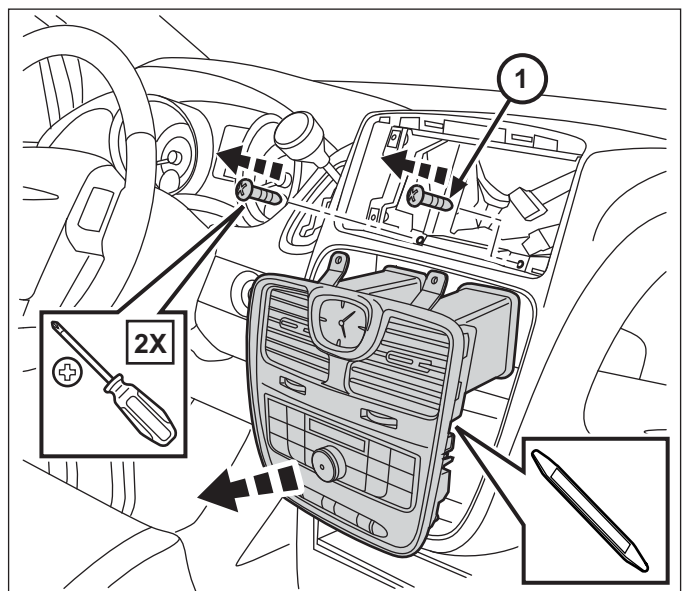
31. Retirer les quatre vis (1) à partir des coins de la radio.



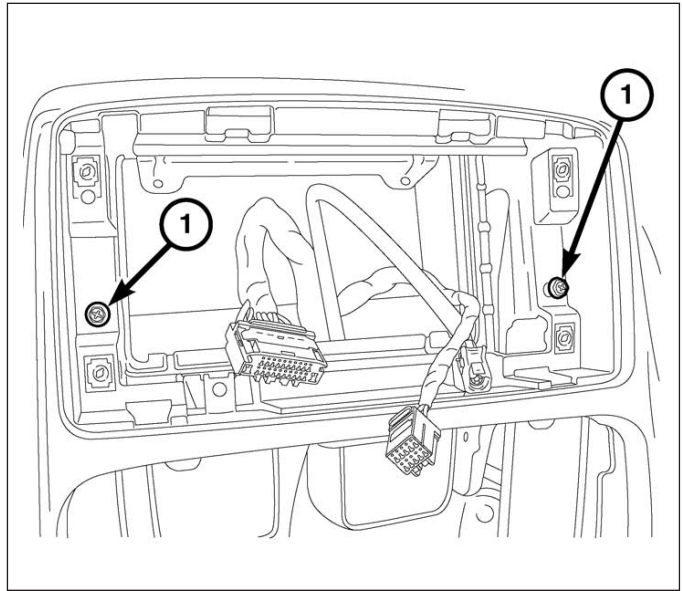
32. Retirer la radio. Débranchez toutes les fiches de derrière.



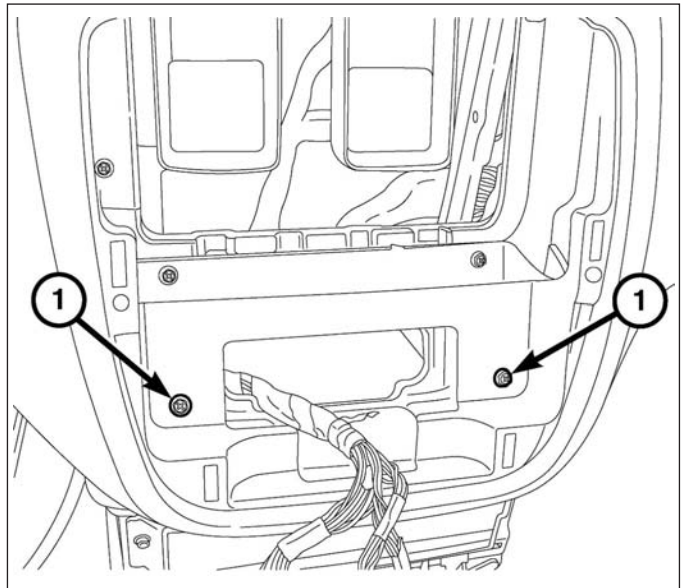
33. Retirer les deux vis (1) à partir de la zone de cavité radio. L'utilisation d'un outil de baguette de garnissage ou équivalent, enlever le centre lunette. Débranchez toutes les fiches de derrière.



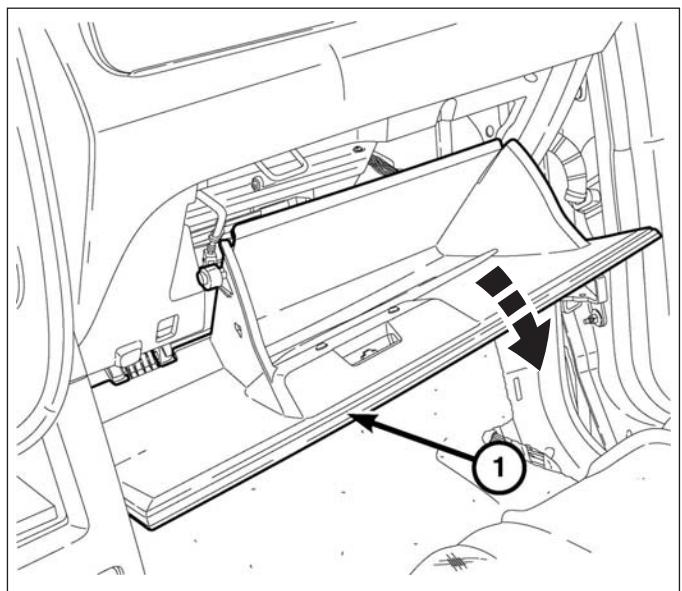
34. Déposer les deux pièces de retenue fixant le coussin supérieur à l'armature (1) situées dans la zone de la cavité de la radio.



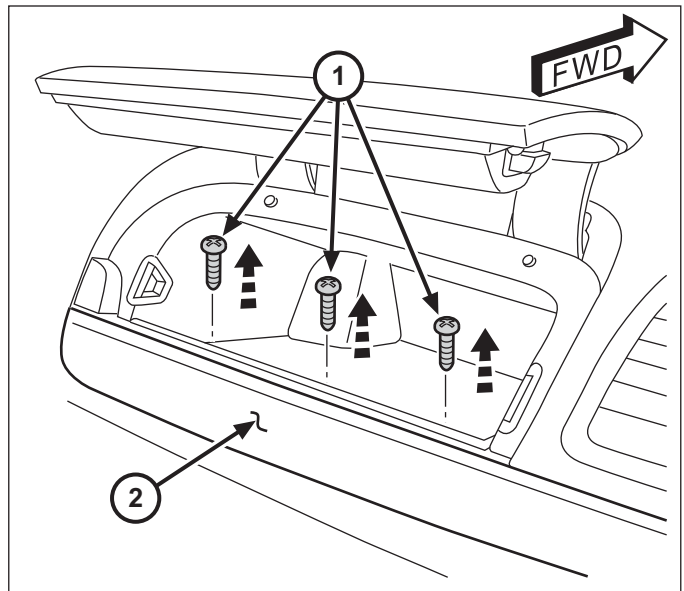
35. Retirez les deux vis (1) situés dans le CVC région de la cavité de commande.



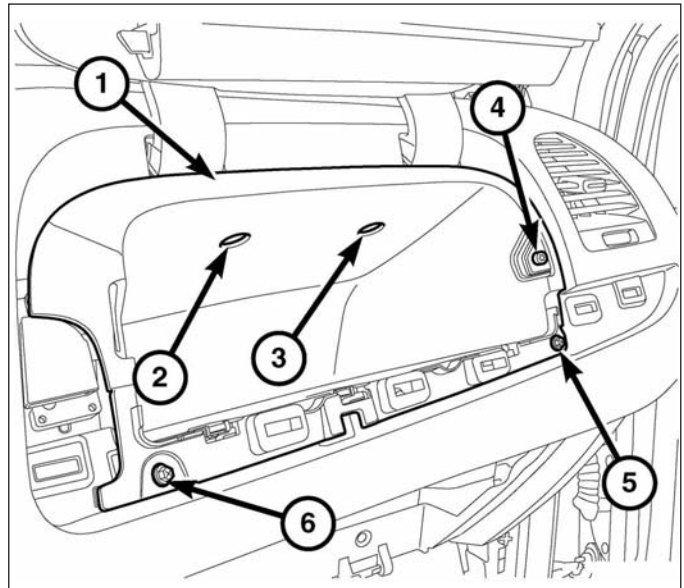
36. Débranchez le câble de l'enrouleur de la boîte à gants inférieure. Retirez la boîte à gants inférieure (1).



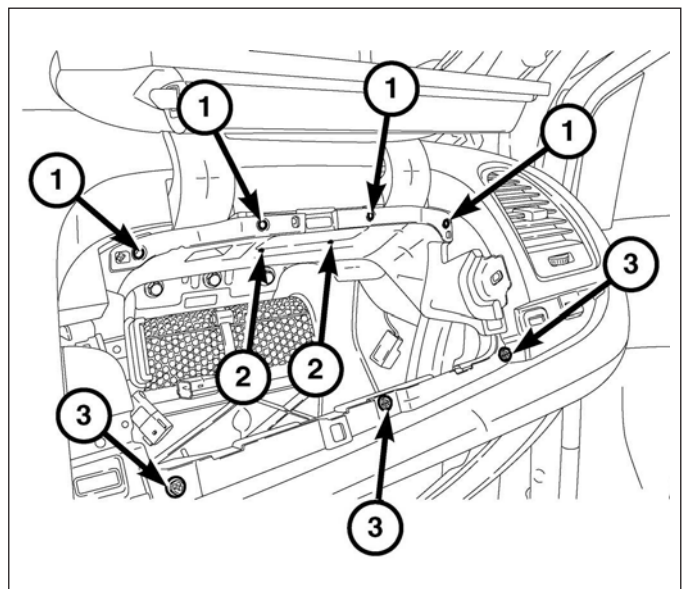
37. Ouvrez la porte de la boîte à gants supérieure.
38. Retirer les vis (1) à partir du tableau de bord  
Lunette de garniture (2).
39. Utiliser au outil de baguette de garnissage ou équivalent,  
retirer la garniture lunette (2) à partir du tableau de bord.



40. Retirer les vis (2, 3, 4, 5, 6) de la partie supérieure  
boîte à gants (1).
41. L'utilisation d'un outil de baguette de garnissage ou  
équivalent, retirer la partie supérieure Boîte à gants (1)  
à partir du tableau de bord.
42. Le cas échéant, retirer le connecteur USB de la partie  
supérieure boîte à gants.

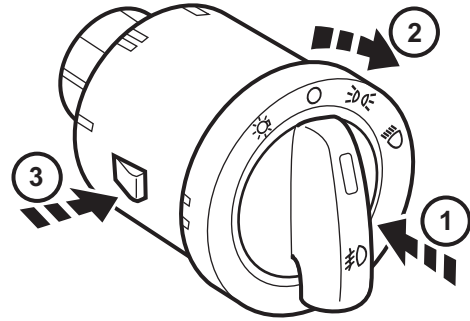


43. Déposer les pièces de retenue (1, 2) de la porte de la boîte  
à gants supérieure (1).
44. A l'aide d'une baguette de garnissage ou d'un outil équivalent,  
déposer la porte de boîte à gants supérieure (1) du  
tableau de bord.
45. Déposer les trois pièces de retenue fixant le coussin  
supérieur à l'armature du tableau de bord (3), situées  
dans la zone de la cavité de la boîte à gants supérieure.
46. Déposer les pièces de retenue du sac gonflable du côté  
passager du support de renfort du tableau de bord et  
débrancher les connecteurs d'amorce.

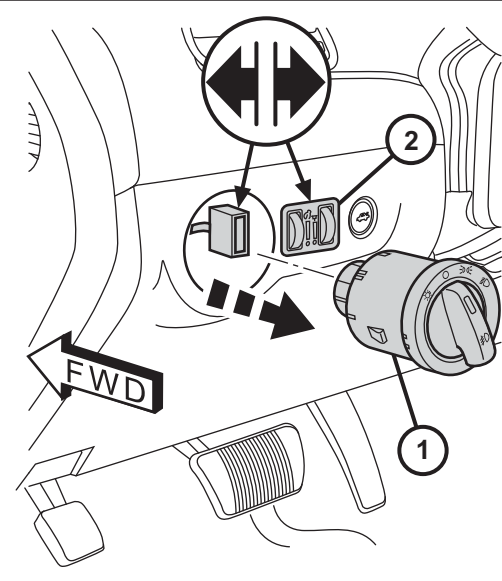


## ENLEVER LA LUMIÈRE INTERRUPTEUR

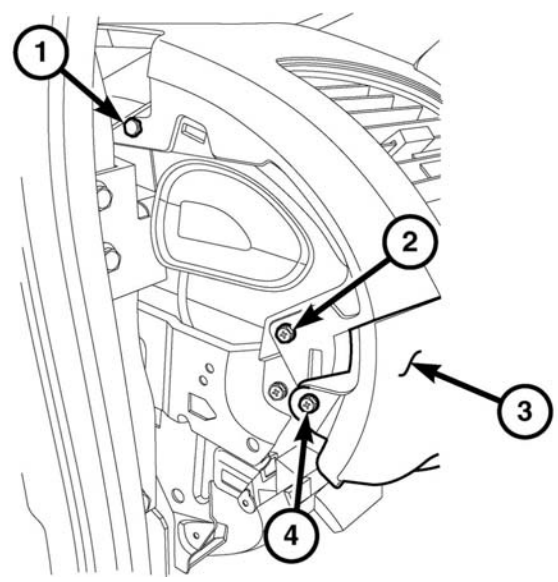
47. Tournez la molette sur la position OFF.
48. Appuyer sur le bouton pour engager le mécanisme de rétraction.
49. Avec le bouton enfoncé, tourner le bouton dans le sens horaire (à droite) pour rétracter les deux pattes de retenue.



50. Retirer l'interrupteur de lumière (1) à partir du tableau de bord et débrancher la prise. Débranchez la prise derrière le panneau pour le gradateur de lumière (2).



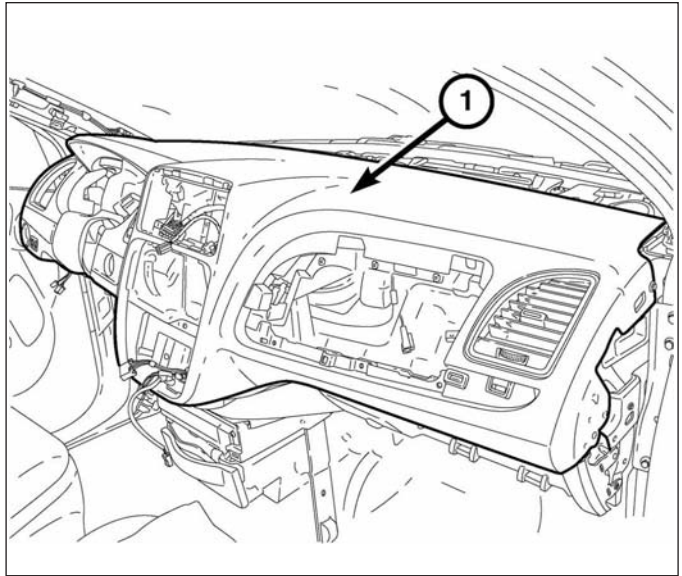
51. Retirez la vis (4) fixant le panneau d'interrupteur de lumière (3) de la planche de bord.
52. Retirez la vis (1, 2) assurant le pavé haut en la structure. Répétez sur le côté opposé.



53. Tirez le pad en haut du tableau de bord (1) vers l'arrière pour dégager les clips de fixation qui fixent le pad en haut à la structure.

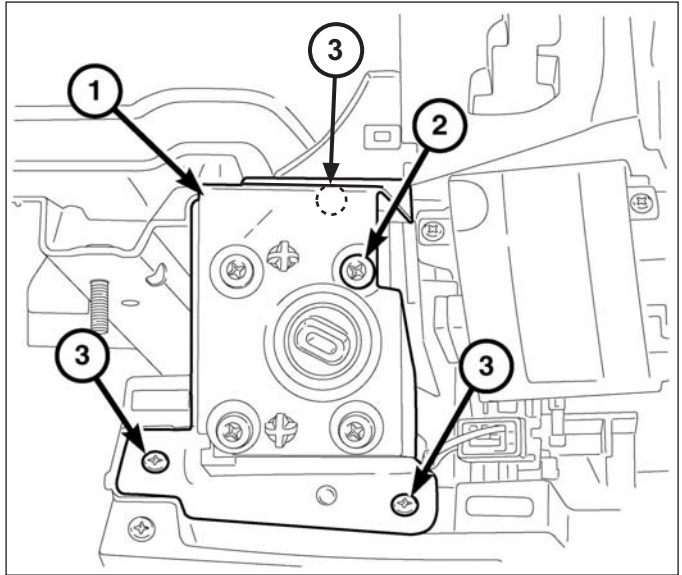
54. Ascenseur vers le haut et vers l'arrière pour supprimer l'instrument panneau supérieur pad (1) du véhicule.

**NOTE: solliciter une assistance pour aider à l'enlèvement de panneau.**



55. Retirer les trois vis (3) de fixation du WIN le support (1) sur le couvercle du tableau de bord.

56. Retirer les vis (2) pour séparer le module WIN du support.



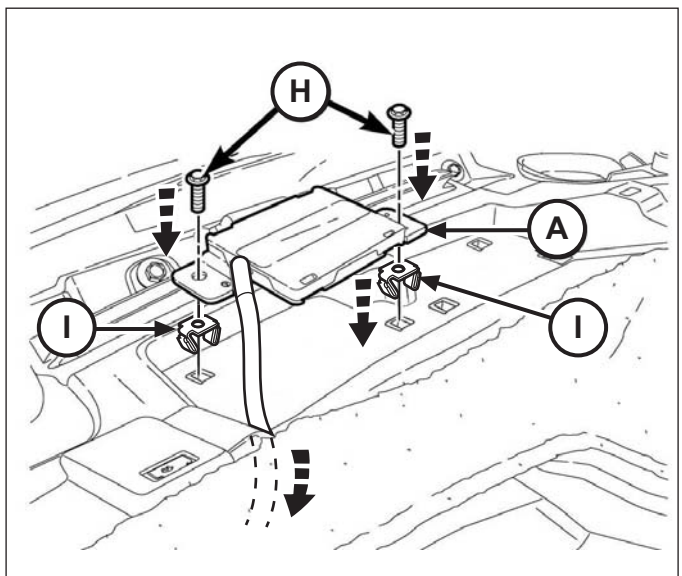
57. Si nécessaire, tirer sur l'I / P isolant pour accéder à la cavité de l'antenne de démarrage à distance situé sur le dessus de l'I / P panneau de base à proximité du côté du conducteur.

### MONTER DES PIÈCES NEUVES

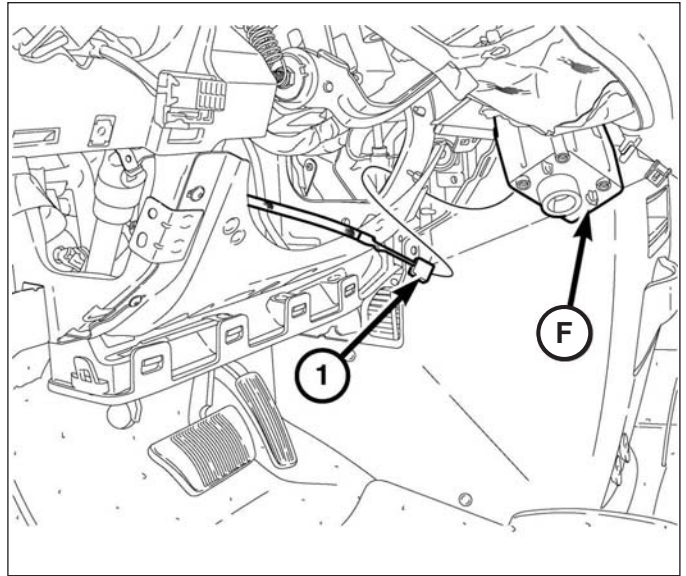
58. Installer les écrous (I) à des emplacements de montage de boulons.

59. Utilisation de l'antenne de kit fourni (A), la voie de l'antenne exploiter à travers l'ouverture dans le tableau de bord top près du bord inférieur gauche de l'antenne de démarrage à distance cavité.

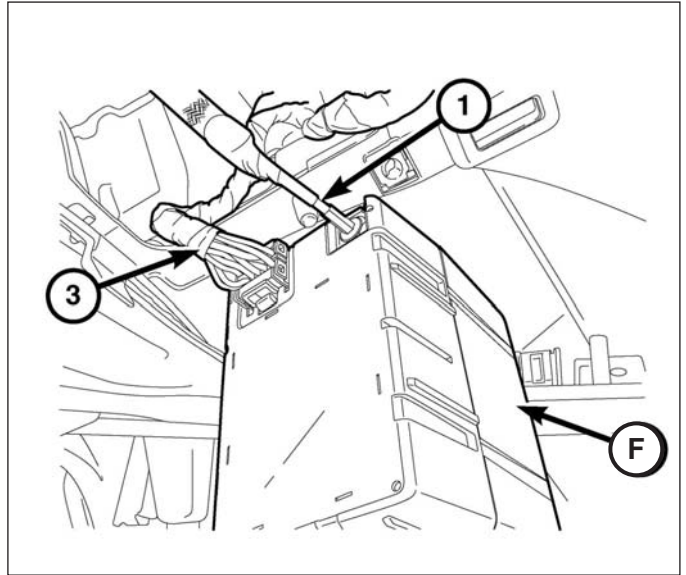
60. La place de l'antenne (A) dans la cavité, sur la localisation épingle et installer les vis de montage (H). serrer la vis.



61. Route du fil d'antenne (1) à travers le bas colonne de direction ouverture.
62. Continuez d'acheminer le fil d'antenne (1) derrière le bloqueur de genou vers le module WIN (F).
63. Débranchez le câble du module WIN (F) et jeter le module de WIN originale.

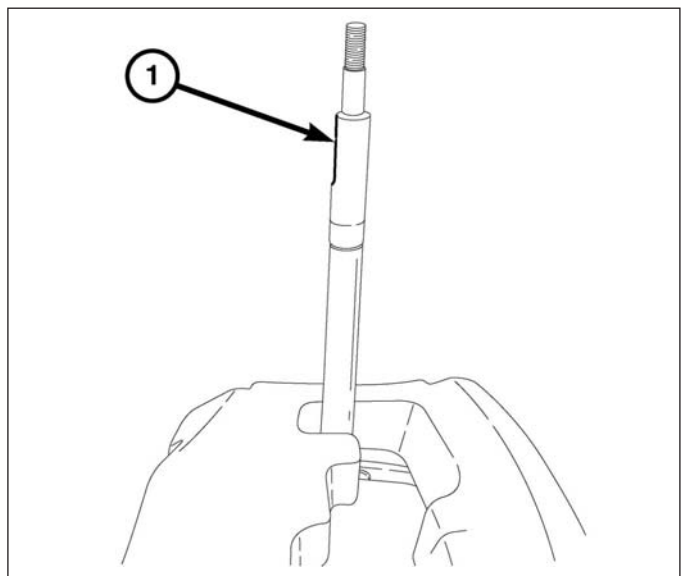


64. En utilisant le kit fourni le module WIN (F), branchez le fil de l'usine (3) et le fil d'antenne (1) de la Module WIN.

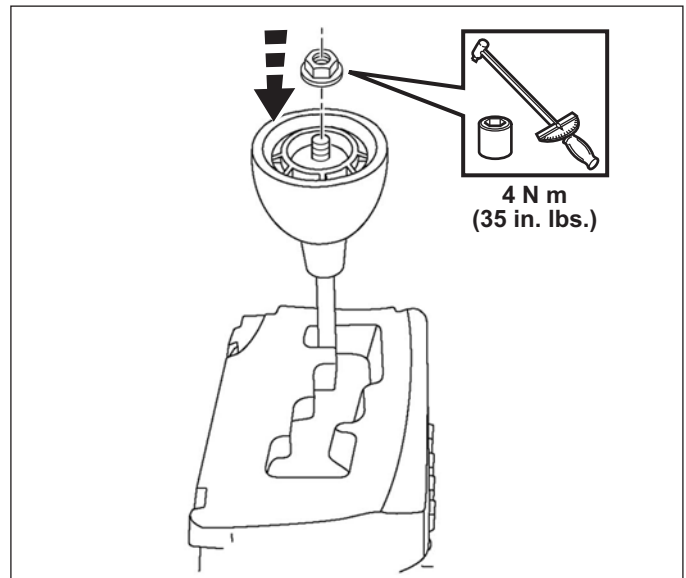


**65. REVERSE LES ÉTAPES 7 À 53 POUR RÉINSTALLER TOUS LES COMPOSANTS DU véhicule PANNEAUX DE GARNITURE.**

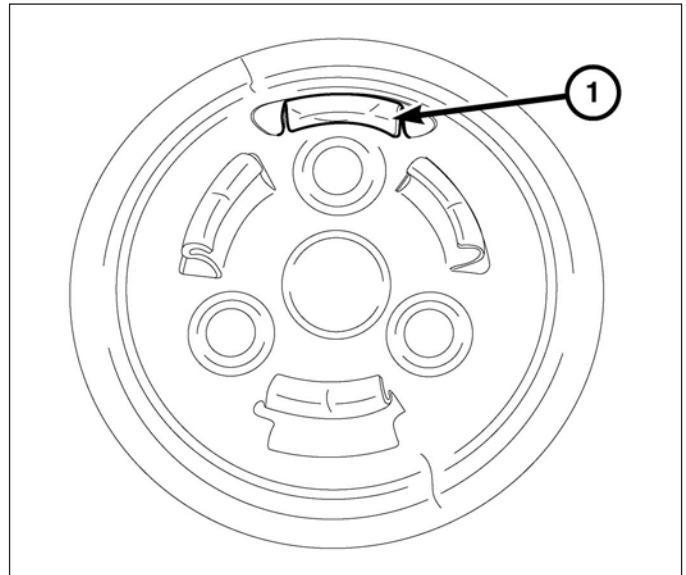
66. **Lieu LEVIER DE RETOUR DANS "PARK"**  
(voir les étapes 19 à 21). Installez le bouton pour le déplacement l'arbre de mécanisme (1). L'arbre a un appartement élément de positionnement pour aider à l'installation.
67. Installez le pommeau de levier au mécanisme de levier de vitesses par poussant fermement vers le bas.



68. Installer l'écrou au levier de changement de vitesse.  
Serrer l'écrou à 4 N.m (35 polb).



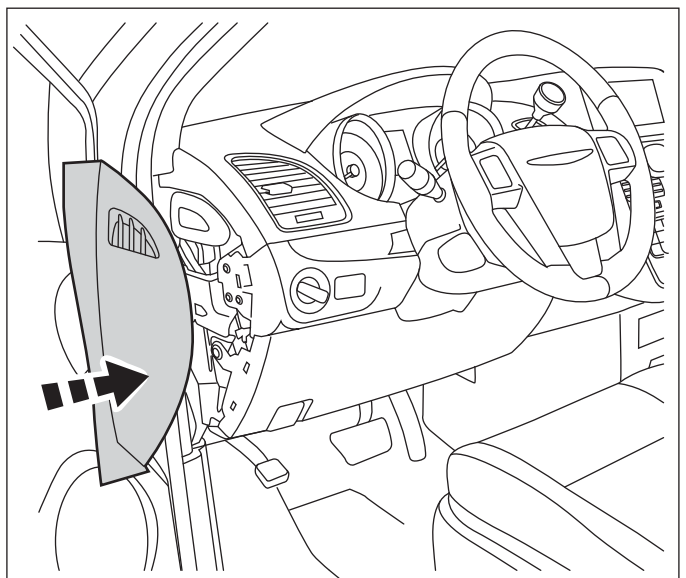
69. Aligner la languette d'alignement de l'enjoliveur de pommeau (1) avant de l'installer sur le pommeau. La languette sera en position 12:00.



70. Remettre le bouchon de fin de tableau de bord.  
Répéter l'opération sur le côté opposé.

71. Vérifiez tout le câblage et couper toutes les attache de câble en excès.

72. Rebranchez la batterie. Serrer les câbles de batterie à 5 N m (45 in-lbs).





**REMARQUE:** Le niveau du logiciel wiTECH doit se situer à la plus récente édition pour exécuter cette procédure.

**REMARQUE:** Sur les véhicules équipés du système d'antidémarrage Sentry Key Immobilizer System (SKIS), lorsque le WIN est remplacé par un nouveau module, un analyseur de diagnostic DOIT être employé pour initialiser le nouveau module WIN et pour programmer au moins deux transpondeurs Sentry Key FOB/K avant de pouvoir conduire le véhicule.

**ATTENTION:** Lire toutes les notes et les mises en garde relatives aux procédures de programmation.

**REMARQUE:** Avoir le NIP du véhicule à portée de la main avant de lancer la routine.

**ATTENTION:** Si le module de commande du groupe motopropulseur et le WIN sont remplacés au même moment, le PCM doit être programmé avant le WIN.

**REMARQUE:** Si le véhicule est équipé de l'allumage à bouton poussoir "Key N Go", la programmation du module de télédéverrouillage (PEM) doit être effectuée en plus de cette procédure.

**REMARQUE:** Ne pas mettre un ordinateur portable ou un appareil sans fil (téléphones portables, appareils audio, etc.) près de la partie supérieure de la console centrale (une antenne d'entrée passive se trouve en dessous de la console centrale).

### **PROGRAMMATION DU WIN**

1. Brancher un chargeur de batterie au véhicule.
2. Insérez une (1) nouvelle Porte-clé dans le contact et tournez à «RUN».
3. Supprimer les anciens FOB/Ks de véhicule. Soyez sûr anciens FOB/Ks ne sont pas à proximité d'un véhicule.
4. À l'aide de la fonction de diagnostic wiTECH, exécuter les étapes suivantes :
  - Sélectionner «WIRELESS CONTROL MODULE (WCM) »
  - Sélectionne l'onglet « MISCELLANEOUS FUNCTIONS »
  - Mettre en surbrillance « WIN REPLACED »
  - Sélectionne le bouton « Start Misc Function »
  - Sélectionner "SUIVANT"
  - Entrer le NIP à l'invite.
  - Sélectionner "SUIVANT"
  - S'assurer que le numéro de NIP est correct.
  - Une fois la vérification faite, sélectionner « NEXT »
  - Sélectionner "SUIVANT"
  - Noter les instructions qui apparaissent à l'écran et sélectionner le bouton « FINISH »
  - Effectuer le cycle de clé de contact après avoir terminé la routine avec succès.

### **PROGRAMMATION DES CLÉS DE CONTACT AU WIN**

1. Brancher un chargeur de batterie au véhicule.
2. À l'aide de la fonction de diagnostic wiTECH, exécuter les étapes suivantes :
  - Sélectionner «WIRELESS CONTROL MODULE (WCM) »
  - Sélectionne l'onglet « MISCELLANEOUS FUNCTIONS »
  - Mettre en surbrillance «PROGRAMMING IGNITION KEYS OR KEY FOBS» (programmation des clés de contact ou des breloques)
  - Sélectionner "SUIVANT"
  - Entrer le NIP à l'invite.
  - Sélectionner "SUIVANT"
  - S'assurer que le numéro de NIP est correct.
  - Une fois la vérification faite, sélectionner « NEXT »
  - Noter les instructions qui apparaissent à l'écran et sélectionner le bouton « FINISH »
  - Effectuer le cycle de clé de contact après avoir terminé la routine avec succès.

**REMARQUE:** Si les clés d'origine ne se programment pas avec succès au nouveau WIN après avoir effectué les procédures appropriées, la programmation de nouvelles clés sera nécessaire.

**REMARQUE:** Un maximum de huit clés peuvent être programmées dans le WIN. Une fois qu'une clé est programmée dans le WIN, cette clé possède le code secret pour ce WIN et ne peut être transférée à un autre véhicule.

### **PROGRAMMATION DU MODULE DE TÉLÉDÉVERROUILLAGE (PEM) (si besoin)**

**REMARQUE:** Effectuer cette procédure sur les véhicules équipés de l'allumage à bouton poussoir "Key N Go".

1. Brancher un chargeur de batterie au véhicule.
2. À l'aide de la fonction de diagnostic wiTECH, exécuter les étapes suivantes:
  - Sélectionner "MODULE DE TÉLÉDÉVERROUILLAGE"
  - Sélectionne l'onglet « MISCELLANEOUS FUNCTIONS »
  - Met en surbrillance « PEM REPLACED »

**RÉINITIALISATION DE L'ECU**

1. Brancher un chargeur de batterie au véhicule.
2. À l'aide de la fonction de diagnostic wiTECH, exécuter les étapes suivantes :
  - Sélectionner « VEHICLE VIEW »
  - Sélectionner « DIAGNOSTIC PROCEDURES » onglet dans la partie inférieure de l'écran
  - Mettez en surbrillance « RESET ECU »
  - Remarque instructions à l'écran et sélectionnez le bouton « NEXT »
  - Sélectionner « WIRELESS CONTROL MODULE (WCM) »
  - Sélectionner le bouton « CONTINUE »

**FENÊTRE CALIBRAGE (si besoin)**

**REMARQUE:** Les glaces des véhicules dotés de la fonction de fermeture rapide doivent être étalonnées après un débranchement de la batterie.

**REMARQUE:** La porte doit être complètement fermée en exécutant cette étape.

1. S'asseoir dans le siège du conducteur et fermer la porte.
2. Abaisser légèrement la glace.
3. Fermer la glace complètement et laisser la commande enfoncée deux secondes additionnelles.
4. Ouvrir complètement la glace et garder la commande enfoncée deux secondes additionnelles.
5. Fermer la glace en position complètement fermée.
6. Répéter ces étapes pour les autres glaces.

**PROGRAMME TIRE CAPTEUR L'IDS**

1. À l'aide de la fonction de diagnostic wiTECH, exécuter les étapes suivantes:
  - Sélectionner « WIRELESS CONTROL MODULE (WCM) »
  - Sélectionne l'onglet « MISCELLANEOUS FUNCTIONS »
  - Mettez en surbrillance chaque pneu et suivez les instructions à l'écran pour programmer l'ID du pneu.

**NOTE:** Dans certains cas, le premier "0" dans l'ID peut pas besoin d'être entré.

**MISE À JOUR DES VALEURS DE SEUILS DE PRESSION (si besoin)**

**REMARQUE:** Le véhicule doit être conduit avant que le témoin du système de surveillance de la pression des pneus (TPMS) s'éteigne.

1. Brancher un chargeur de batterie au véhicule.
2. À l'aide de la fonction de diagnostic wiTECH, exécuter les étapes suivantes :
  - Sélectionne le « TIPMCGW »
  - Sélectionne l'onglet « MISCELLANEOUS FUNCTIONS »
  - Mettre en surbrillance et sélectionner « UPDATE PRESSURE THRESHOLDS »
  - Noter les instructions qui apparaissent à l'écran et sélectionner le bouton « NEXT »
  - Vérifier les réglages courants, sélectionner le bouton « NEXT » pour modifier les réglages.
  - Sélectionner "SUIVANT"
  - Entrer le NIP à l'invite.
  - Sélectionner "SUIVANT"
  - S'assurer que le numéro de NIP est correct.
  - Une fois la vérification terminée, sélectionner « NEXT »
  - Sélectionner "SUIVANT"
  - Attendre que le WCM/WIN ait mis sa configuration à jour.
  - Une fois la configuration WCM/WIN terminée, sélectionner « NEXT »
  - Sélectionner "SUIVANT"
  - Noter les instructions qui apparaissent à l'écran et sélectionner le bouton « FINISH »

**TEMPORAIRE DISABLE DÉMARRAGE À DISTANCE**

1. Brancher un chargeur de batterie au véhicule.
2. À l'aide de la fonction de diagnostic wiTECH, exécuter les étapes suivantes :
  - Sélectionne le « TIPMCGW »
  - Sélectionne l'onglet « MISCELLANEOUS FUNCTIONS »
  - Mettre en surbrillance et sélectionner « TEMPORARY REMOTE START DISABLE »
  - Noter les instructions qui apparaissent à l'écran et sélectionner le bouton « NEXT »
  - Sélectionner le bouton « DISABLE » pour actionner la fonction de démarrage à distance
  - Sélectionner « YES » pour remettre le module à zéro et quitter la routine, sélectionner « NO » pour basculer la valeur au point de départ.
  - Sélectionner "FINISH" (terminé).

**EFFACER TOUS LES DTCs**

**NOTE:** Il peut être nécessaire de démarrer le moteur et tournez le verrou du volant pour verrouiller.

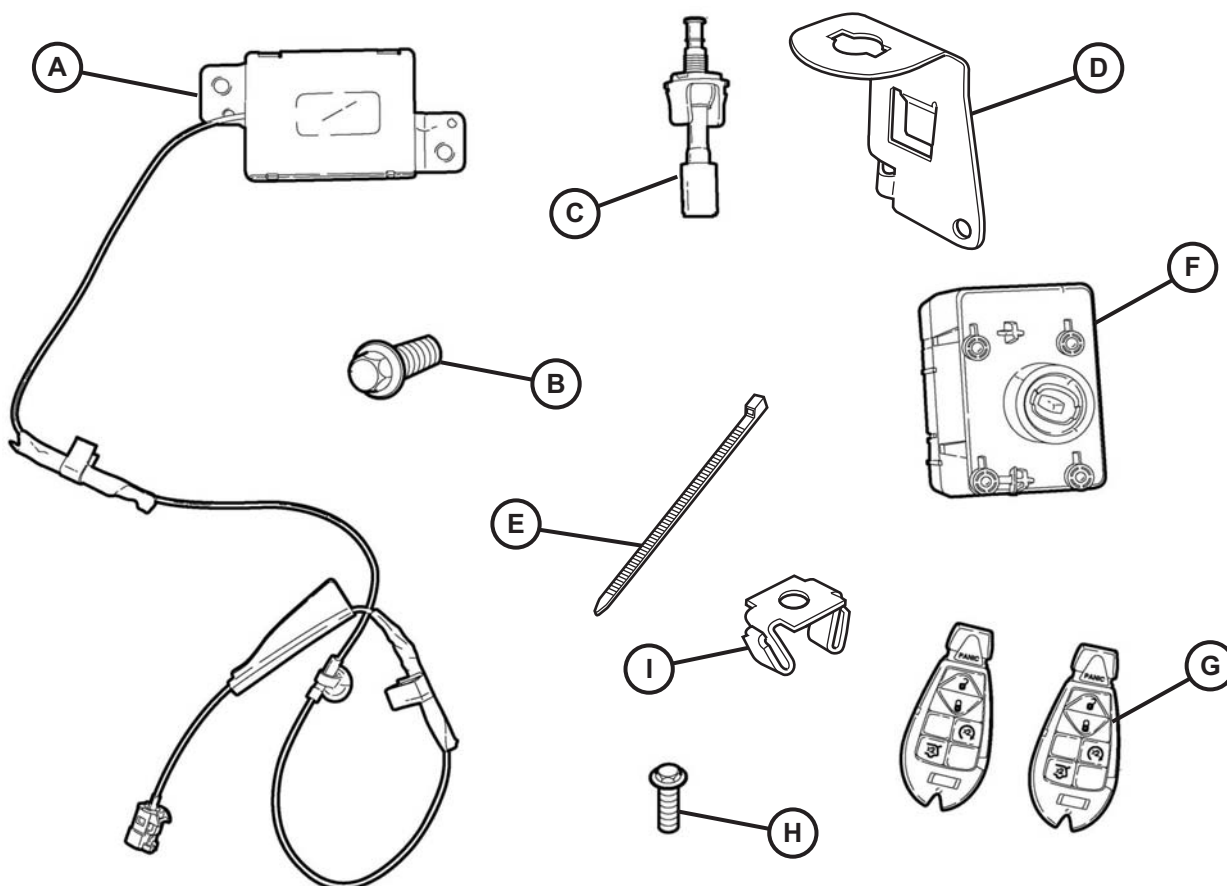
**TESTEZ LA DÉMARRAGE À DISTANCE**

Avec le véhicule éteint, et les portes fermées et verrouillées, vérifiez le démarrage à distance fonctionne correctement.

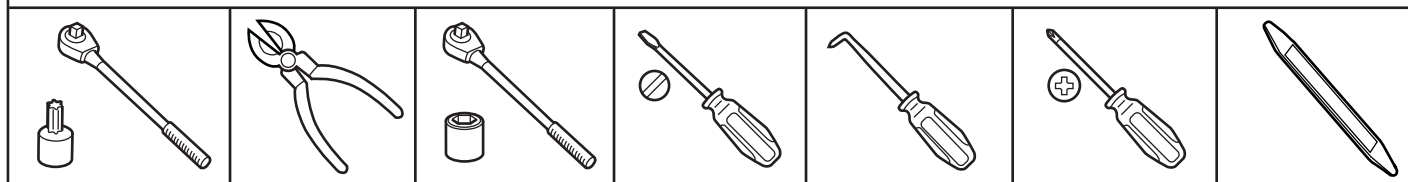


# CHRYSLER TOWN & COUNTRY / DODGE CARAVAN ARRANQUE REMOTO

www.mopar.com



ELEMENTO	DESCRIPCION	CANTIDAD
A	Antena WIN	1
B	Campana soporte del interruptor entreabierto tornillo	1
C	Campana interruptor entreabierto	1
D	Campana soporte del interruptor entreabierto	1
E	Sujetacables	12
F	Módulo de inalámbrico ignición (WIN)	1
G	FOBIK	2
H	Antena pernos de montaje	2
I	Prensa en nuez	2



**Mantenga todos los tornillos para la reinstalación**

**PRECAUCIÓN:**

El sistema de arranque remoto XBM SLO puede montarse en vehículos que tengan las siguientes opciones de fábrica: transmisión automática, apertura a distancia e inmovilizador.

En los vehículos basados en WinFobik, se debe añadir el código de venta a la base de datos y se debe realizar la restauración de la configuración del vehículo (con una herramienta de diagnóstico) antes de montar el nuevo módulo WIN. De lo contrario, la función de arranque remoto del módulo WIN podrá volverse inoperativa.

El técnico debe esperar 1/2 hora entre la adición del código de venta XBM en DealerConnect antes de montar el módulo WIN y restablecer la configuración del vehículo. Durante este intervalo de tiempo, el técnico puede montar los demás componentes excepto el módulo WIN.

**NOTA:** Se recomienda leer detenidamente las instrucciones antes de instalar este producto.

**PASOS DEL PROCEDIMIENTO:****ACTUALIZACIÓN DE LA CONFIGURACIÓN DEL VEHÍCULO**

**NOTA:** El nivel del software de wiTECH debe ser el de la última versión para realizar este procedimiento.

1. Para activar la funcionalidad del sistema, el VIN debe actualizarse con el código de venta del accesorio añadido. Con la página web de DealerCONNECT y la aplicación de diagnóstico wiTECH, complete la configuración del vehículo.

**AÑADIR CÓDIGO DE VEHÍCULO XBM (Arranque remoto) EN VENTAS WEB DealerCONNECT**

2. Inicie sesión en <https://dealerconnect.chrysler.com>.
3. En la pestaña de servicio, dentro del cuadro de Administración de la garantía, localice "Vehicle Option Updates" (actualización de opciones del vehículo). Ingrese el VIN del vehículo y añada el código de ventas XBM (Arranque remoto) y pulse GUARDAR.
4. Confirme que el nuevo código de ventas se haya añadido correctamente al VIN bajo la "Opción del distribuidor instalado" en la parte inferior de la pantalla.

**RESTAURAR VEHÍCULO CONFIGURACIÓN**

5. Con la aplicación de diagnóstico wiTECH, lleve a cabo los siguientes pasos desde la puesta en marcha pantalla inicial:
  - Seleccione "DIAGNOSTIC PROCEDURES"
  - Seleccione "RESTORE VEHICLE CONFIGURATION"
  - Seleccione "CONTINUE"
  - Verifique que el número de bastidor del vehículo es correcto
  - Una vez verificado, seleccione el botón "VIN correcta"
  - Tenga en cuenta las instrucciones de la pantalla y seleccione el botón "Cerrar"

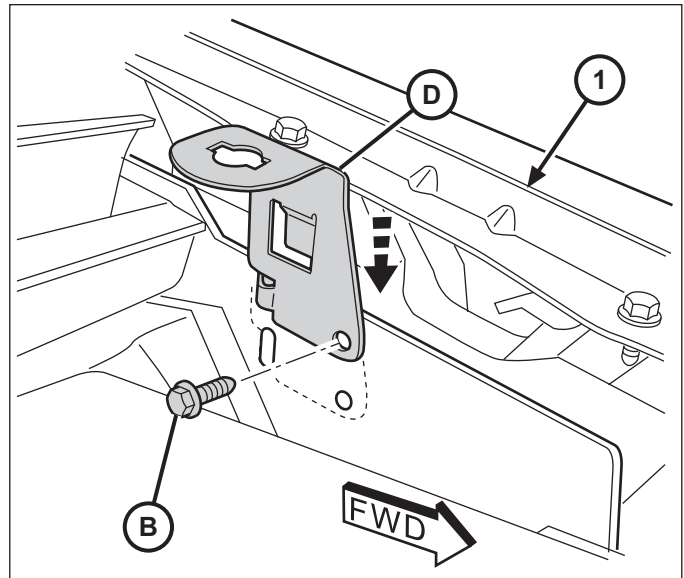
**REGISTRO ESTOS DATOS ANTES DE DESCONECTAR LA BATERIA**

6. Anote los nombres y valores de los datos para cada uno de los Neumáticos Sensor Identificación de. Esto será necesario más adelante en el procedimiento de instalación. Con la aplicación de diagnóstico wiTECH, lleve a cabo los siguientes pasos:
  - Seleccione "WIRELESS CONTROL MODULE (WCM)"
  - Seleccione la pestaña "DATA".
  - Anote los ID de sensores para los cuatro neumáticos

**Obtenga el número de PIN de 4 dígitos del personal de los concesionarios autorizados.**

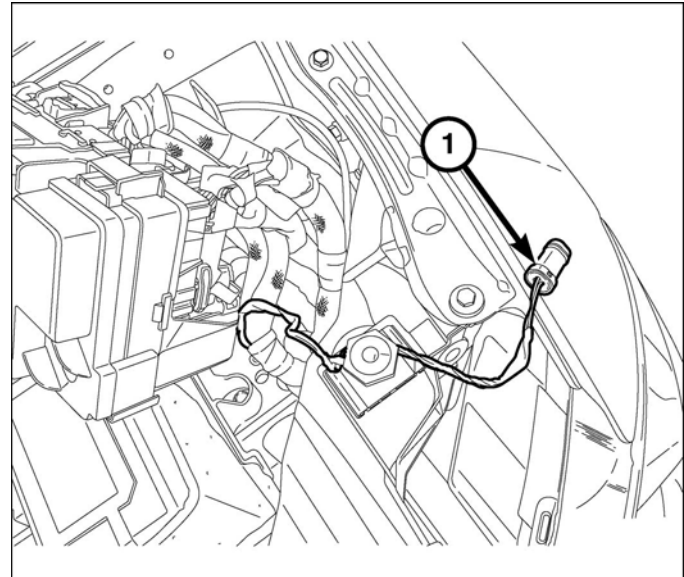
## INTERRUPTOR DEL CAPÓ, SOPORTE Y MAZO DE INSTALACIÓN

1. Desconecte y aisle el cable negativo de la batería.
2. Busque la ubicación del interruptor del capó de montaje, cerca del lado del conductor guardabarros interior (1).
3. Coloque el soporte de campana interruptor entreabierto (D) en el lado del conductor guardabarros interior (1).
4. Instale el perno de montaje (B) en el kit de asegurar el soporte del interruptor entreabierto campana al lado del conductor guardabarros interior (1). Apretar el elemento de fijación de forma segura.



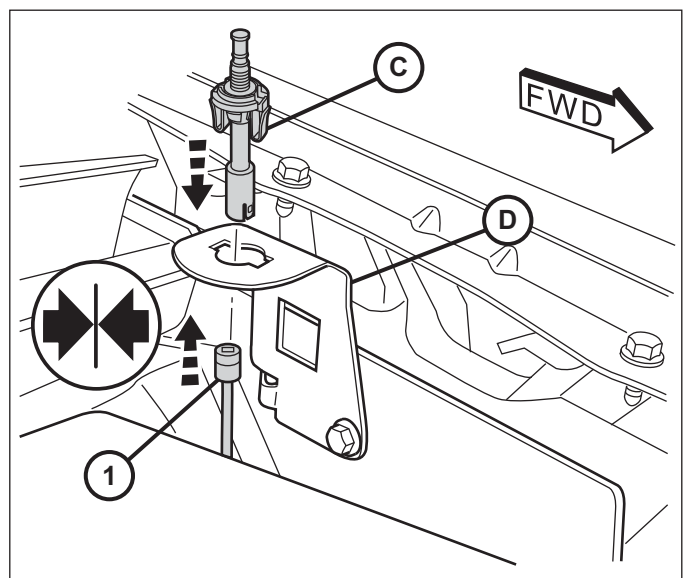
**NOTA:** Segn versiones, puede que sea necesario volver a colocar o retirar el modulo de alimentacin integrada (IPM) para ubicar el mazo de cables del conmutador del cap de fabrica.

5. Localice la toma de fuerza del mazo de cables del conmutador del cap (1) situado junto a la batera en funcionamiento debajo del mdulo de alimentacin integrada (IPM), pegada con cinta en el mazo de cables del vehculo existente.
6. Quite la cinta que sujeta el arnés despegue (1) a partir de el arnés del vehculo.



**NOTA:** El ajuste automatico del conmutador de cap entreabierto es un dispositivo de un solo uso. Si el conmutador est daado, defectuoso desmontado o requiere reajuste, deber reemplazarse por una unidad nueva.

7. Quite la cinta que sujeta el arnés despegue (1) a partir de el arnés del vehculo.
8. Tire del conector del mazo de cables (1) a través del interruptor soporte de montaje y conéctelo al entreabierto capucha interruptor.
9. Desde la parte superior del soporte de montaje, pulse el capó interruptor entreabierto a la baja en el agujero de montaje de la soporte hasta que el interruptor integral pestañas pestillo encaje en su lugar.

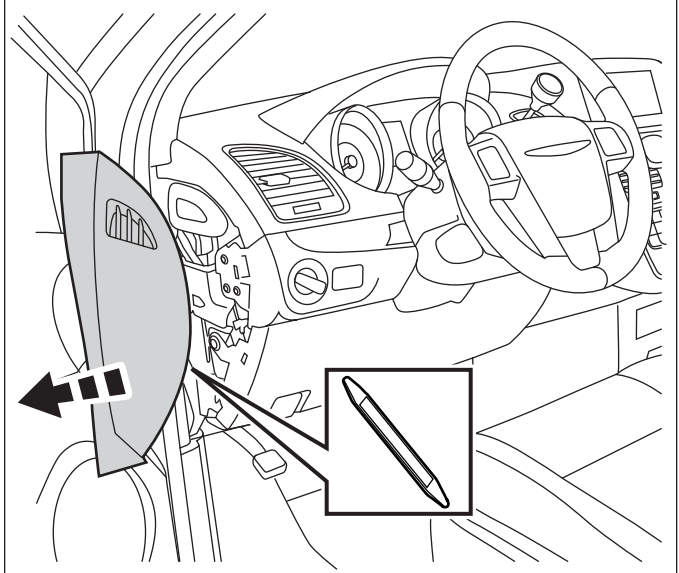


## MONTAJE DEL MÓDULO DE CONTROL INALÁMBRICO (WCM) Y LA ANTENA DE ARRANQUE A DISTANCIA ADVERTENCIA:

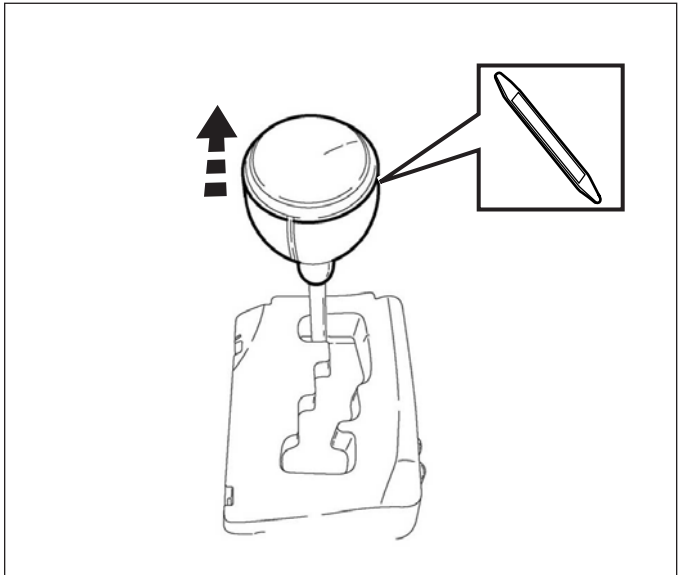
Antes de llevar a cabo cualquier diagnóstico o reparación de cualquier componente del panel de instrumentos, volante de dirección o columna de dirección, inhabilite el sistema de airbag. Desconecte y asle el cable negativo (masa) de la batería; a continuación, espere dos minutos hasta que se descargue el condensador del sistema airbag antes de continuar con la diagnosis o servicio. **ESTA ES LA ÚNICA FORMA SEGURA DE INHABILITAR EL SISTEMA DE AIRBAG.** Si no se siguen estas instrucciones podrá producirse un despliegue accidental del airbag con el consiguiente riesgo de lesiones personales o de incluso la muerte.

**NOTA:** Adopte las precauciones apropiadas para proteger la cara frontal del tablero de instrumentos de daños cosméticos durante este procedimiento de servicio.

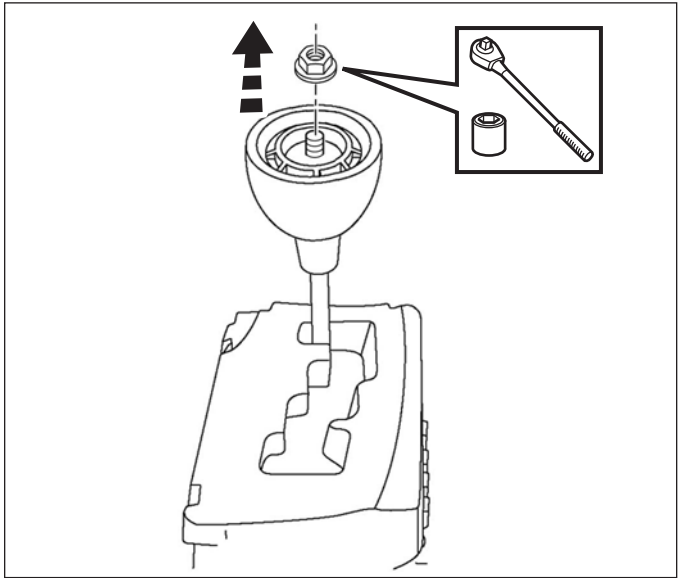
1. Utilizando una varilla de tapicería o equivalente, retire la tapa del extremo desde el panel de instrumentos. Repita en el lado opuesto.



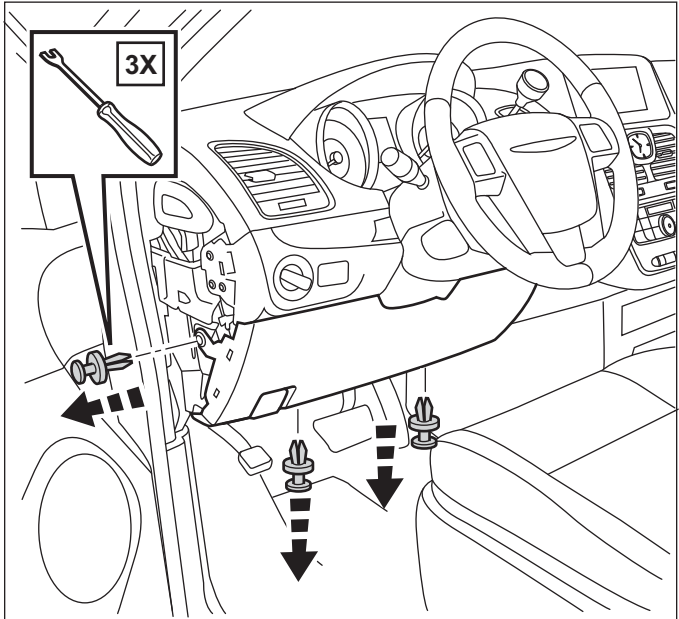
2. Con una herramienta de varilla de tapicería, haga palanca con cuidado entre el mando y el bisel de plástico debajo del anillo de cromo para eliminar el tapa palanca de cambios de la palanca de cambios.



5. Retire la tuerca del eje de la palanca de cambios.
6. Retire la palanca de cambios del mecanismo de palanca de cambios por firmemente tirando hacia arriba.

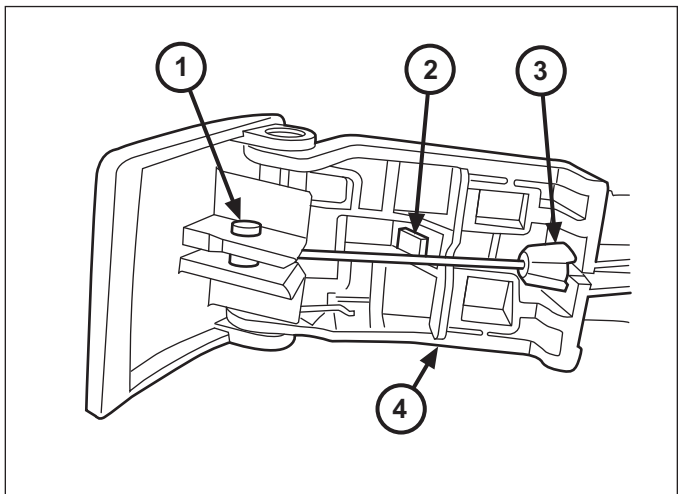


7. Retire los sujetadores inferiores de la columna de dirección tapa de apertura.
8. Retire el sujetador situado en la fijación lado exterior la cubierta de la apertura de columna de dirección al instrumento estructura de panel.
9. Desconecte todos los enchufes y quitar puerto de diagnóstico de detrás de la cubierta.

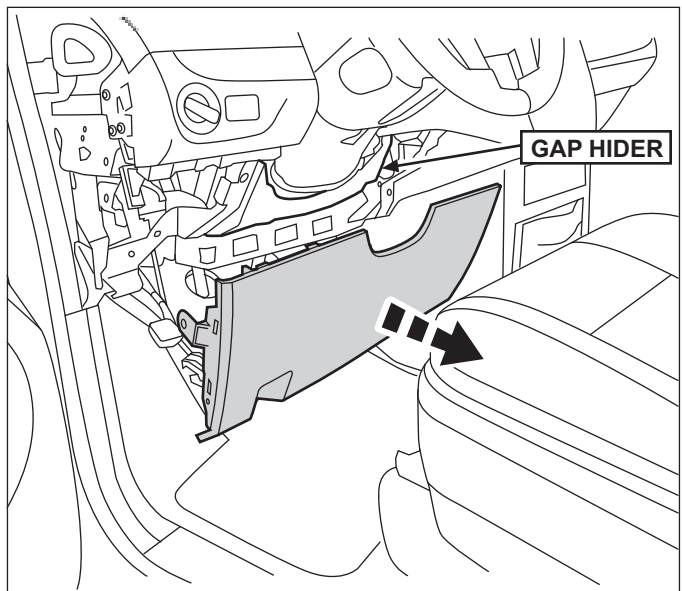
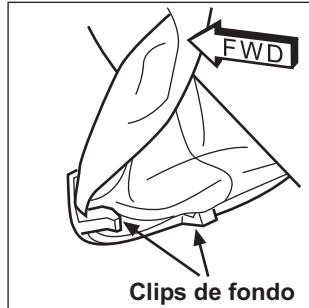
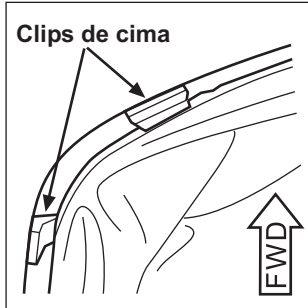


**10. PARA QUITAR LA CAMPANA DE LIBERACIÓN:**

Levante la lengüeta de retención (2) y deslice la palanca (4) hacia adelante. Presione las lengüetas y liberar el cable (3) de la manija luego retire el extremo del cable (1).



**NOTA:** Antes de extraer las siguientes paneles de ajuste, utilice una varilla de tapicería para liberar los clips alrededor del cuero brecha hider por encima y por debajo de la columna de dirección. Tenga cuidado de no romper los clips.



11. Con una herramienta de varilla de tapicería o equivalente, extraiga la dirección cubierta apertura columna desde el panel de instrumentos.

12. Empuje la palanca de inclinación (3) hacia abajo, hacia la posición de liberación.

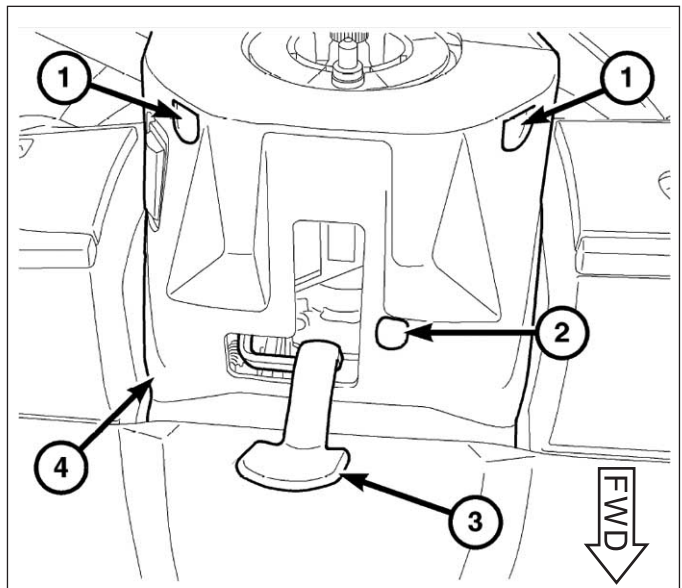
13. Retire los dos tornillos (1) que fijan la cubierta superior a la inferior. Después de extraer los tornillos, desenganche las cubiertas superior e inferior la una de la otra aplicando presión con la mano a lo largo de las soldaduras donde se conectan las cubiertas por los lados.

14. Retire la cubierta superior.

15. Extraiga el tornillo restante (2) que fija la cubierta inferior (4) a la columna.

16. Retire la cubierta inferior.

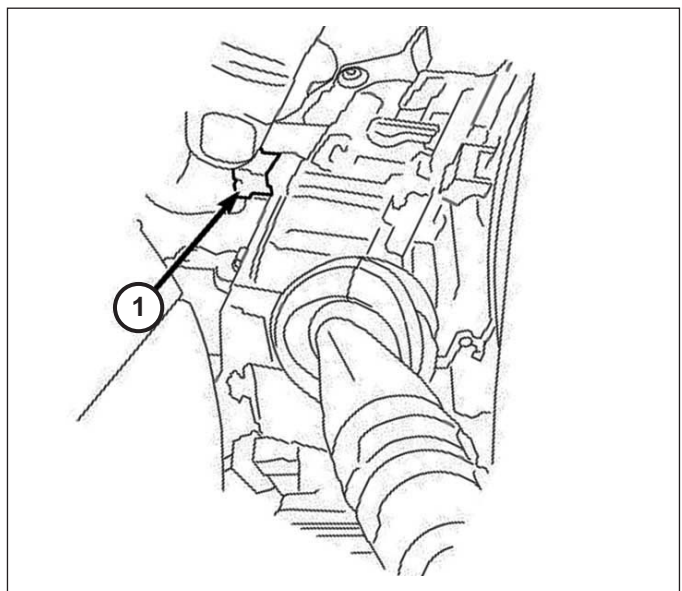
17. Empuje la palanca de inclinación (3) hacia arriba, bloqueando la columna en su lugar.



18. Desconecte el conector del mazo de cables del panel de instrumentos (1) desde el receptáculo del conector en la parte posterior de la caja del interruptor multifunción.

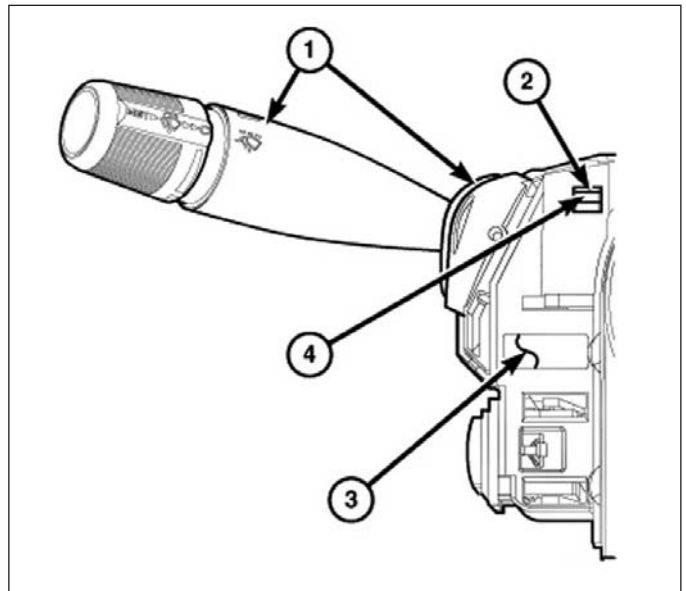
**ADVERTENCIA:**

Para evitar lesiones graves o mortales en vehículos equipados con bolsas de aire, desactive el sistema de seguridad suplementario (SRS) antes de intentar cualquier volante, dirigiendo la columna, airbag, tensor de cinturón de seguridad, sensor de impacto o el diagnóstico de componentes del panel de instrumentos o servicio. Desconecte y aisle el cable negativo de la batería (tierra). A continuación, esperar dos minutos para que el sistema de condensador se descargue antes de realizar un diagnóstico más profundo o servicio superior. Esta es la única forma segura de desactivar el SRS. Si no se toman las medidas preventivas adecuadas, podría resultar en el despliegue del airbag accidental.



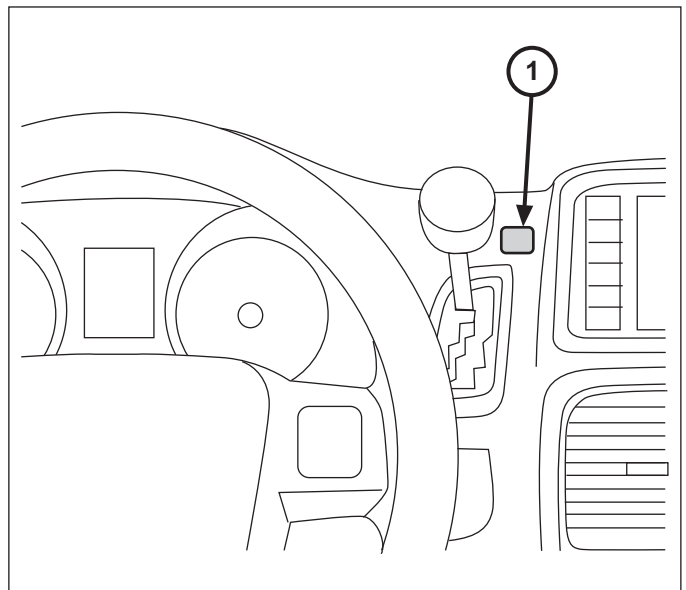


19. Trabajando a través de la ventana de acceso (2) del montaje soporte (3) solidario a la parte izquierda de la muelle de reloj, oprima la lengüeta (4) de la función de pestillo integral a la interruptor multifunción (1) que aloja lo suficientemente lejos para desenganchar el pestillo.
20. Mientras mantiene el pestillo desenganchada, deslice el interruptor hacia arriba y hacia fuera del receptáculo en el soporte de montaje.

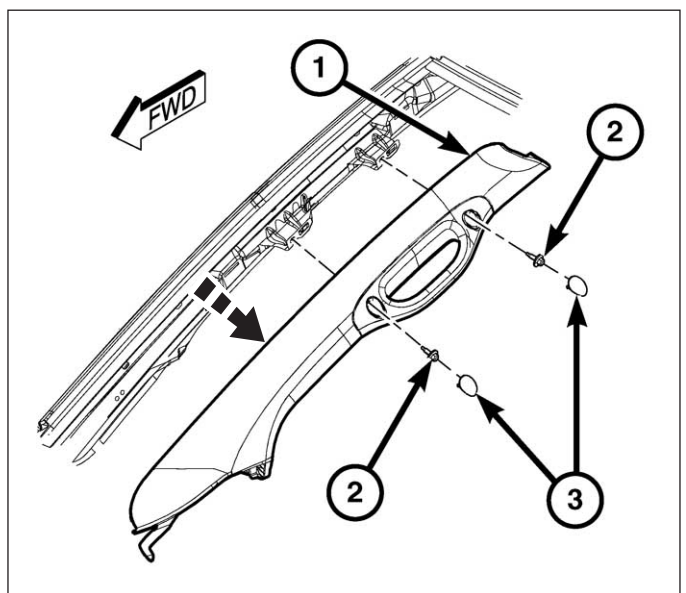
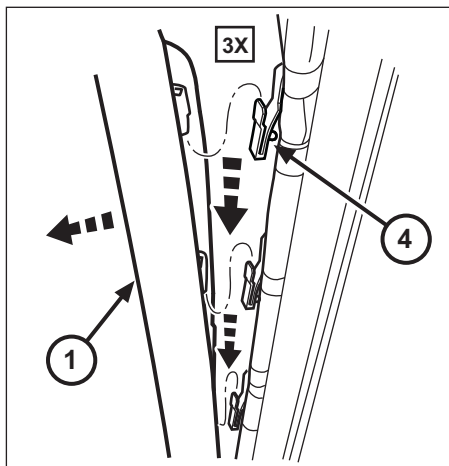


**21. Aplicar el freno de estacionamiento.**

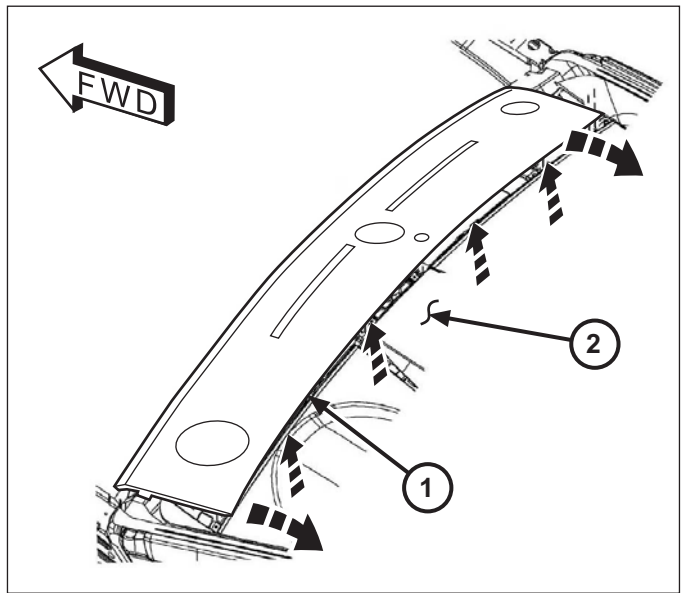
22. El uso de una pequeña herramienta de corte o una herramienta similar, extraiga la palanca de cambio de cubierta de acceso de anulación (1).
23. Presione y mantenga una presión firme sobre el pedal del freno.
24. Inserte un destornillador o herramienta similar en el orificio de acceso y empuje y mantenga la palanca de liberación de anulación adelante.
25. Mueva la palanca de cambios a la posición NEUTRAL.



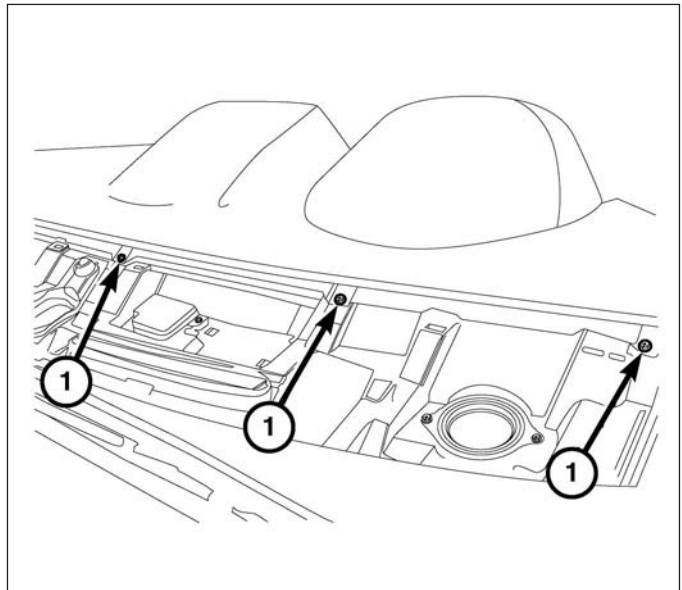
26. Retire las tapas de cierre (3) de panel de ajuste del pilar. Eliminar elementos de fijación (2). Retire A-pilar panel de ajuste (1). Desenganche correas de seguridad (4) detrás de panel de ajuste (1). Repita para el lado opuesto del vehículo.



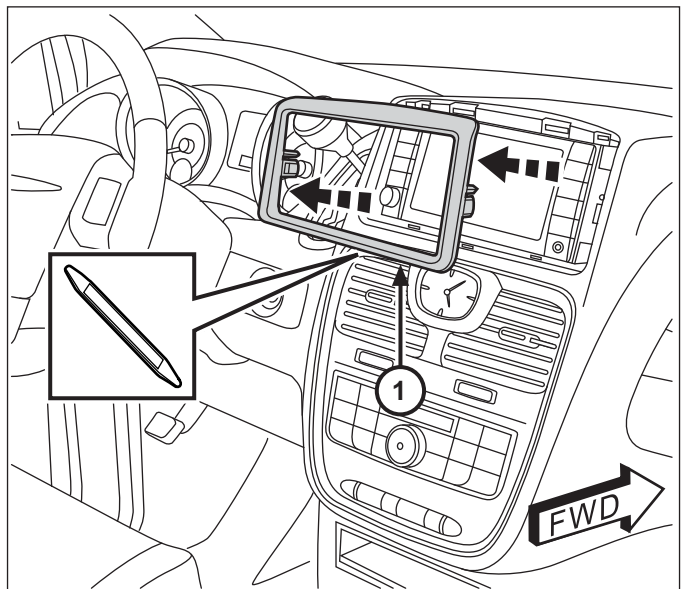
27. Con una varilla plana o similar, desenganche las lenguetas de sujeción que fijan la parte trasera de la cubierta superior del panel de instrumentos (1) al panel de instrumentos (2).
28. Tire de la cubierta superior del panel de instrumentos (1) hacia atrás para soltar las lenguetas de retención en la parte delantera de la cubierta y retire esta última.



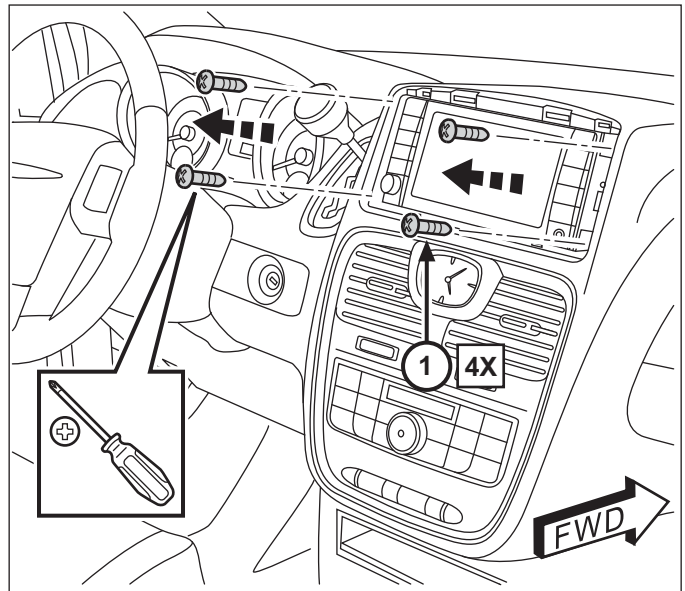
29. Retire los seis elementos de fijación (1) que fijan el acolchado superior del panel de instrumentos a la estructura.



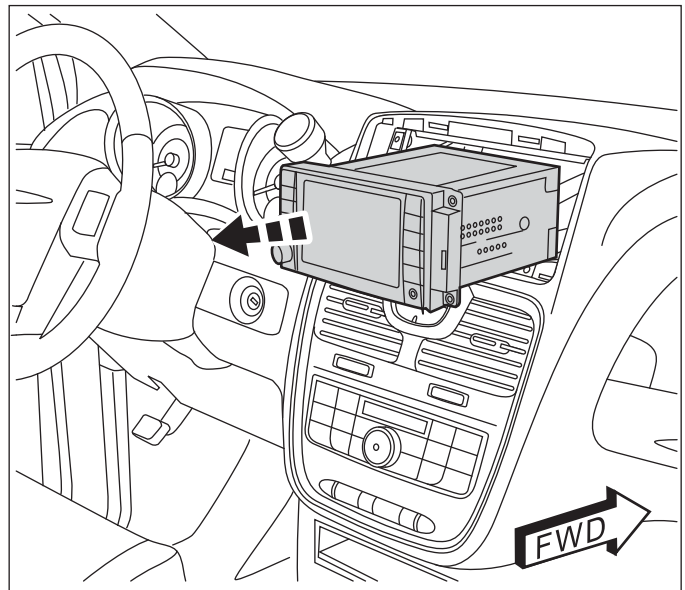
30. Con una varilla de punta plana o similar, extraiga el embellecedor de la radio (1).



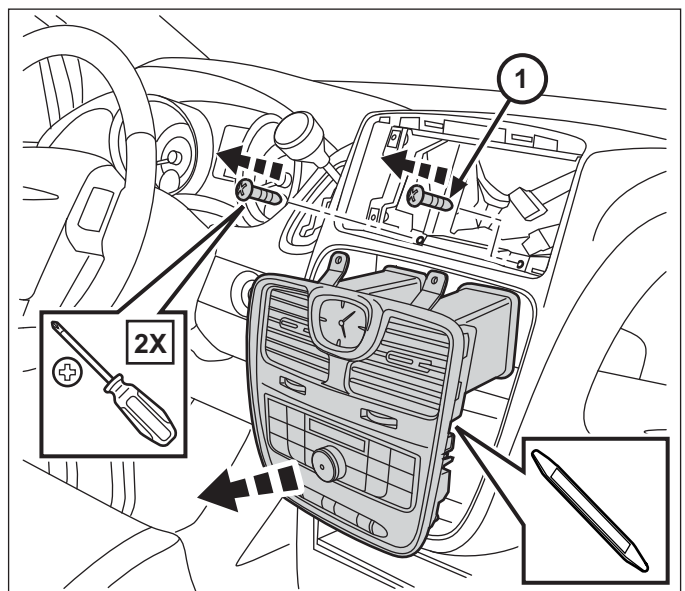
31. Retire los cuatro tornillos (1) de las esquinas de radio.



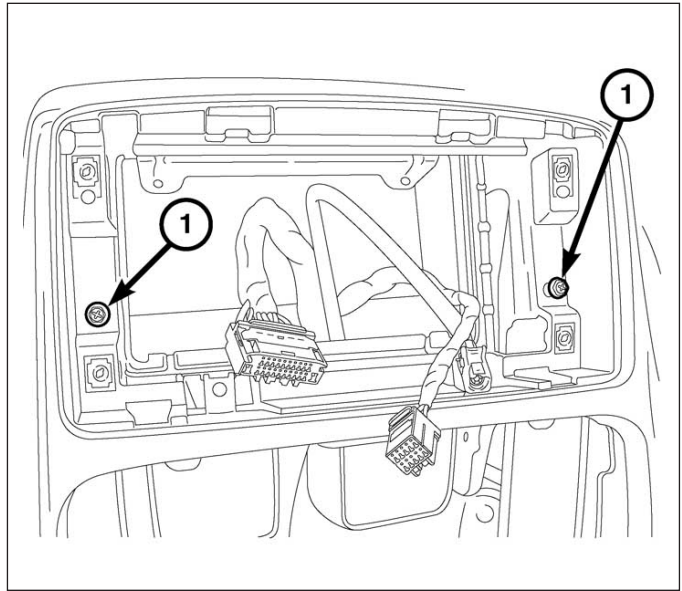
32. Retire la radio. Desconecte todos los enchufes de detrás.



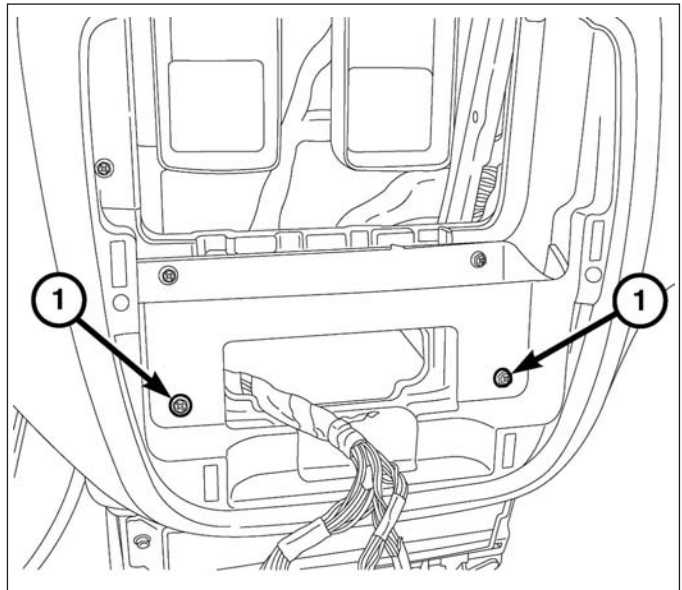
33. Retire los dos tornillos (1) del área de la cavidad de radio. Con una herramienta de varilla de tapicería o equivalente, extraiga el embellecedor central. Desconecte todos los enchufes de detrás.



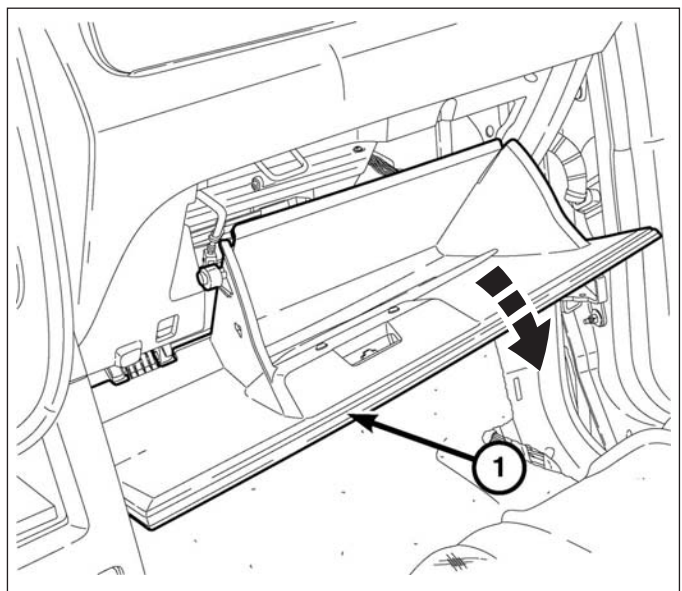
34. Retire los dos elementos de fijación del acolchado superior a la estructura (1) situados en el rea de la cavidad de la radio.



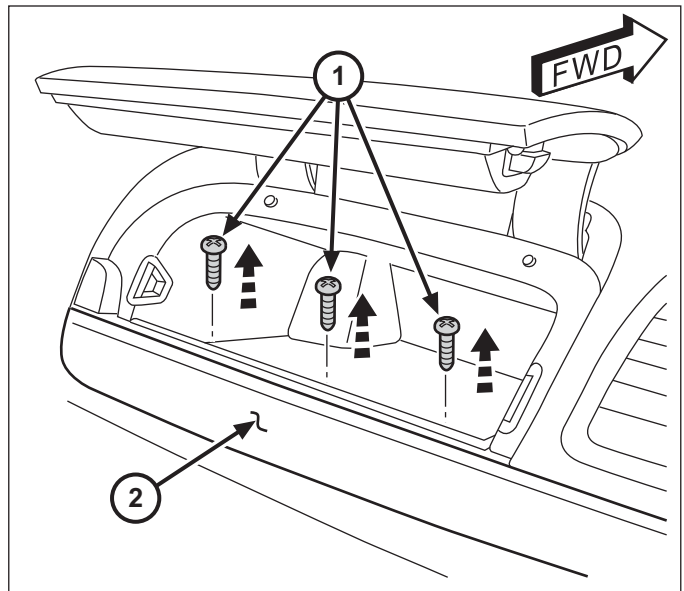
35. Retire los dos tornillos (1) situados en el HVAC área de la cavidad de control.



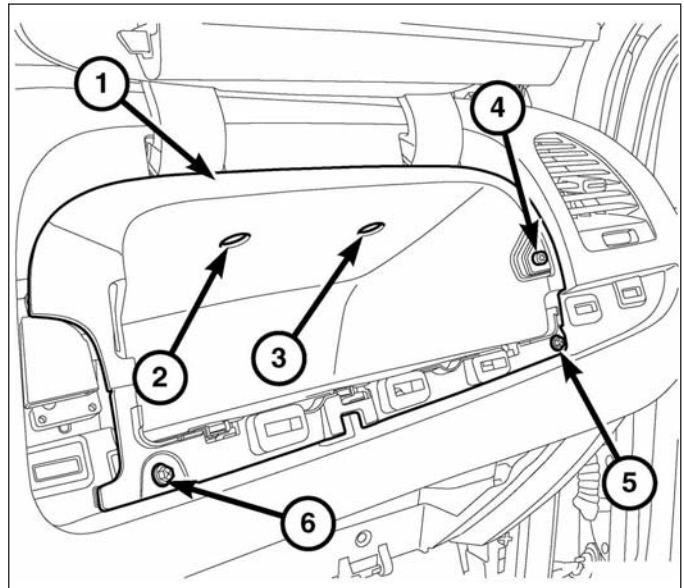
36. Desconecte el cable de retracción de la guantera inferior. Retire la guantera inferior (1).



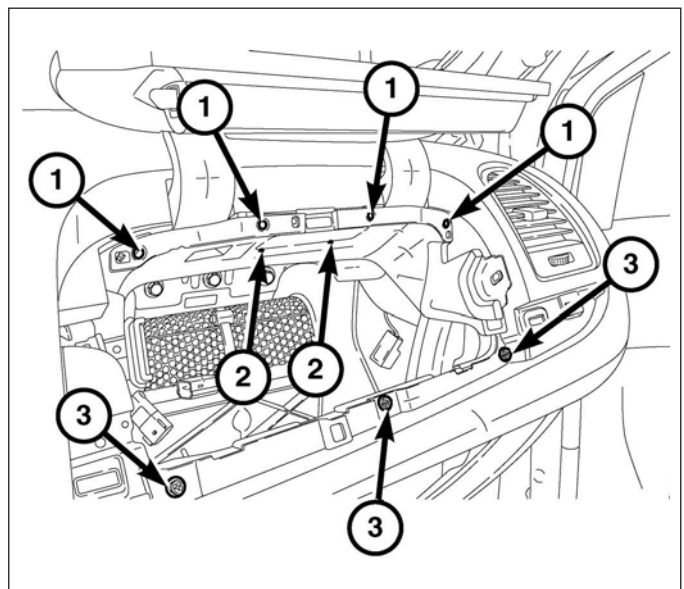
37. Abra la puerta de la guantera superior.
38. Retire los tornillos (1) del cuadro de instrumentos bisel de corte (2).
39. El uso de la herramienta en varilla de tapicería o equivalente, retire el embellecedor bisel (2) desde el panel de instrumentos.



40. Retire los tornillos (2, 3, 4, 5, 6) de la parte superior guantera (1).
41. El uso de una herramienta de varilla de tapicería o equivalente, retire la parte superior guantera (1) desde el panel de instrumentos.
42. Si está equipado, retire el conector USB de la parte superior guantera.

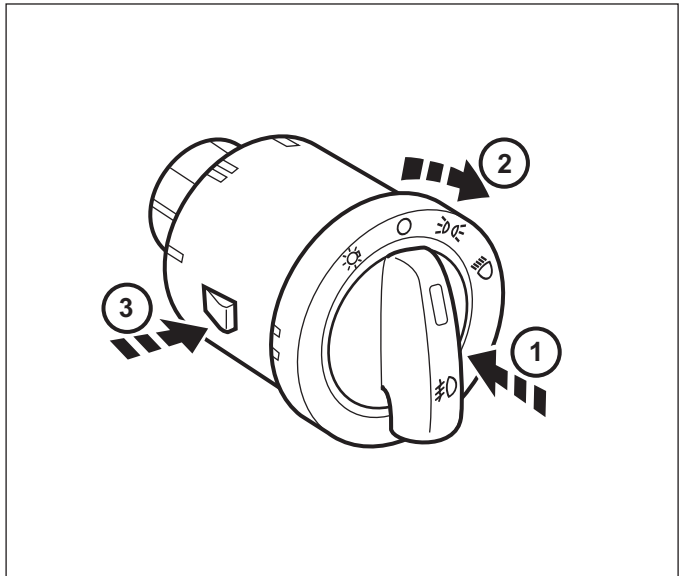


43. Retire los elementos de fijación (1, 2) de la puerta de la guantera superior (1).
44. Con una varilla de punta plana o similar, extraiga la puerta de la guantera superior (1) del panel de instrumentos.
45. Retire los tres elementos de fijación del acolchado superior a la estructura (3) situados en el rea de la cavidad de la guantera superior.
46. Retire los elementos de fijación del airbag del lado del acompañante del soporte de refuerzo del panel de instrumentos y desenchufe los conectores del cable eléctrico.

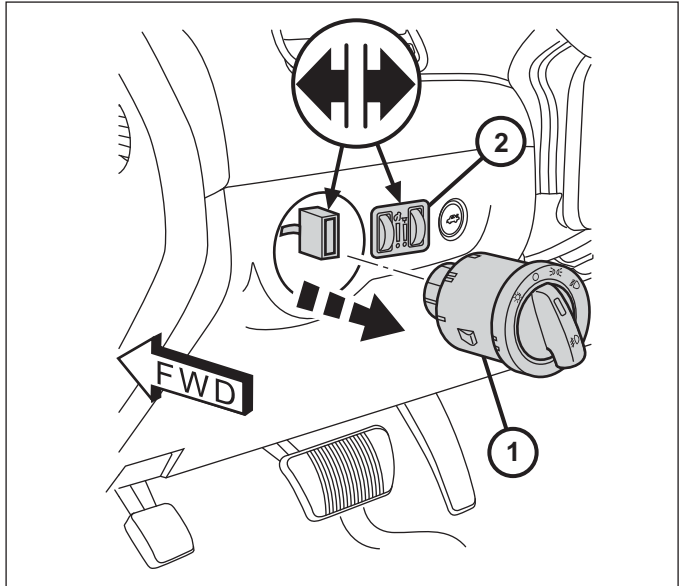


**RETIRE INTERRUPTOR LUZ**

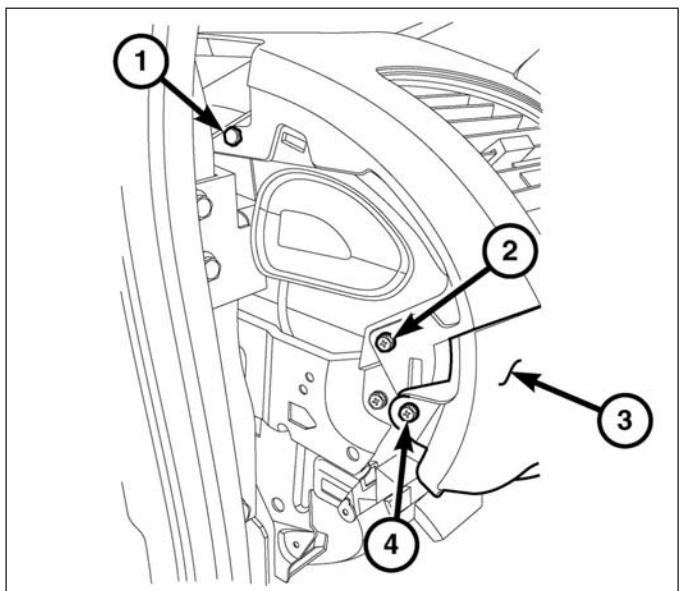
47. Gire el mando a la posición OFF.
48. Empuje hacia adentro la perilla para activar el mecanismo de retracción.
49. Con el botón pulsado, gire la perilla en sentido horario (derecha) para retraer las dos lengüetas de retención.



50. Retire el interruptor de la luz (1) desde el panel de instrumentos y desconecte el enchufe. Desconecte el enchufe detrás de la Panel para el regulador de voltaje (2).



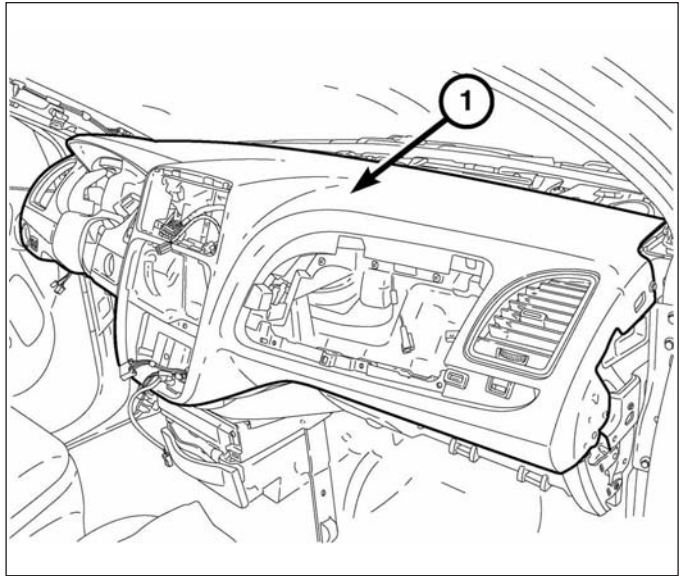
51. Retire el tornillo (4) que sujetan el panel de interruptores de la luz (3) para el panel de instrumentos.
52. Retire el tornillo (1, 2) que fijan la tapa superior a la estructura. Repita en el lado opuesto.



53. Tire de la almohadilla de panel de instrumentos superior (1) hacia atrás para desenganchar. Que los clips de sujeción aseguran la tapa superior de la estructura.

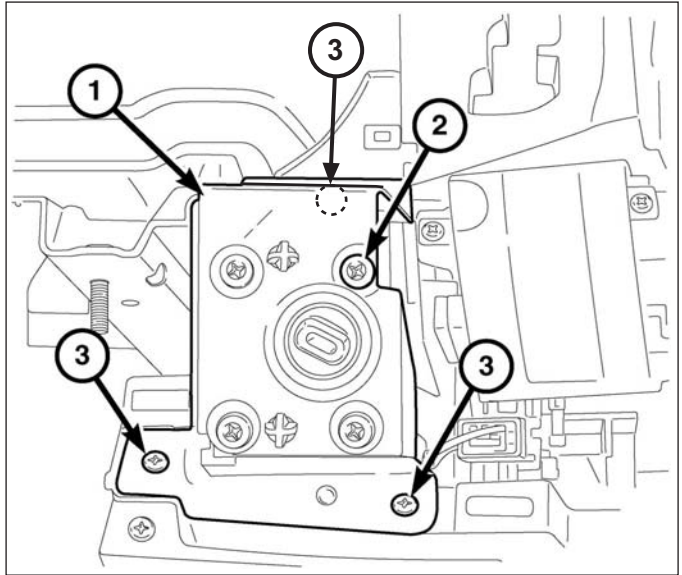
54. Levante hacia arriba y hacia atrás para quitar el instrumento almohadilla panel superior (1) del vehículo.

**NOTA: Busque apoyo para ayudar en la remoción del panel.**



55. Retire los tres tornillos (3) que sujetan el WIN soporte (1) para la cubierta del panel de instrumentos.

56. Retire los tornillos (2) para separar el módulo WIN del soporte.



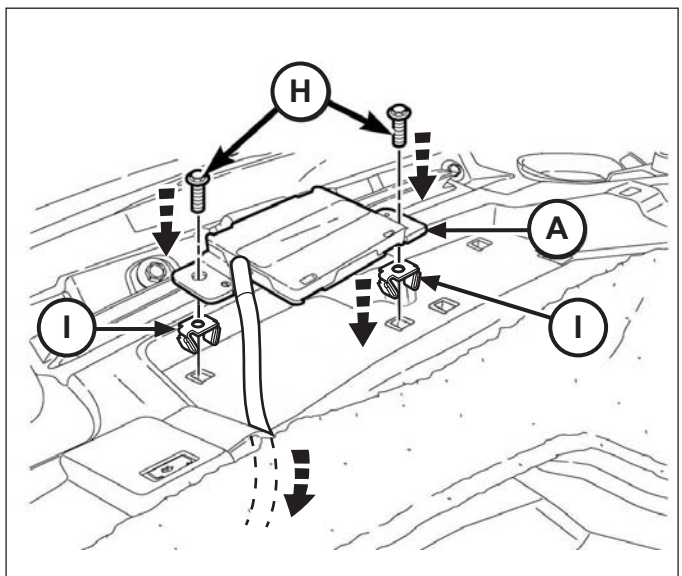
57. Si es necesario, tire hacia atrás del aislante I / P para acceder a la cavidad de la antena de arranque remoto situado en la parte superior de la E / P panel de la base cerca del lado del conductor.

#### INSTALAR NUEVAS PIEZAS

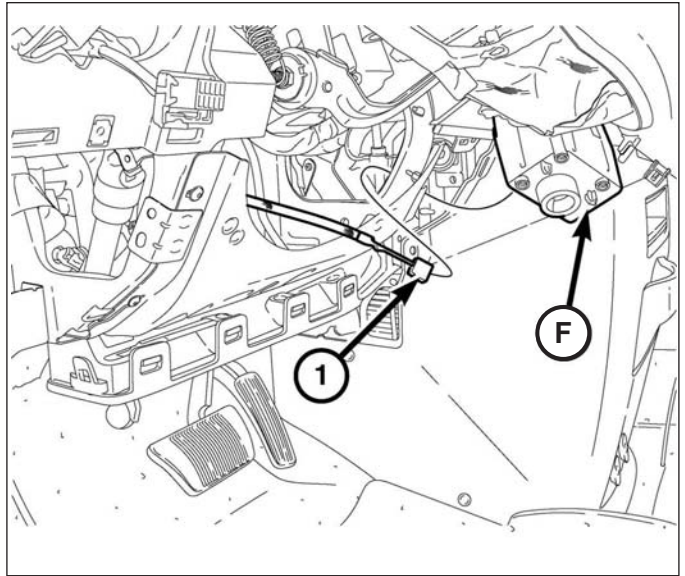
58. Instale las tuercas (I) en los lugares de montaje de los pernos.

59. El uso de la antena kit suministrado (A), la vía de la antena aprovechar a través de la abertura en el panel de instrumentos la parte superior cerca del borde inferior izquierdo de la antena de arranque remoto cavidad.

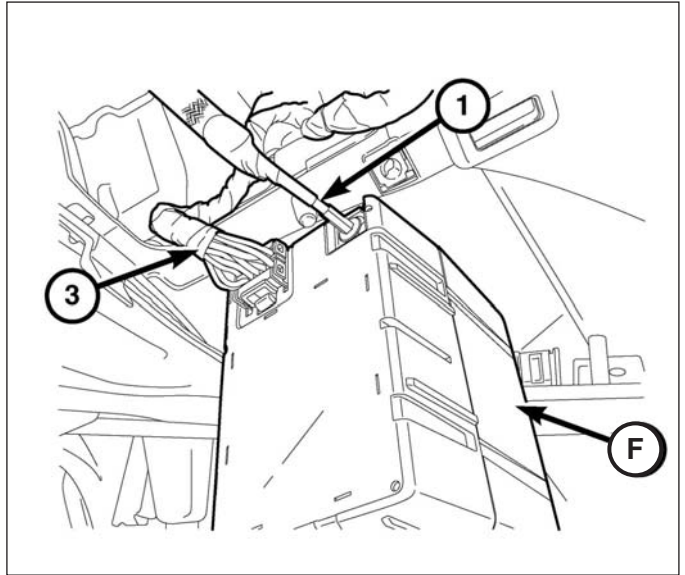
60. Coloque la antena (A) en la cavidad, en la localización pasadores y instalar los tornillos de montaje (H). apriete el tornillos.



61. Pase el cable de la antena (1) a través de la parte inferior apertura de la columna de dirección.
62. Continuar encaminar el cable de la antena (1) detrás de la Críticas hacia el módulo WIN bloqueador de rodilla (F).
63. Desconectar el cable desde el módulo de WIN (F) y deseche el módulo WIN originales.

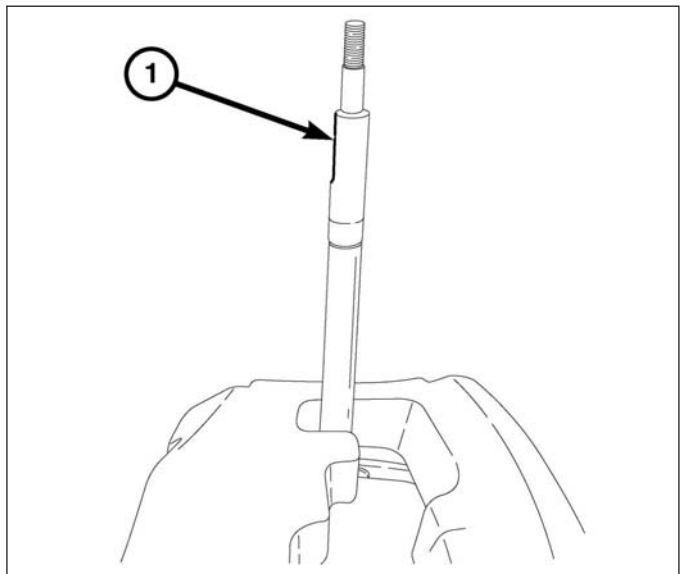


64. Utilizando el kit suministrado módulo WIN (F), conecte el alambre de fábrica (3) y el cable de la antena (1) a la Módulo WIN.



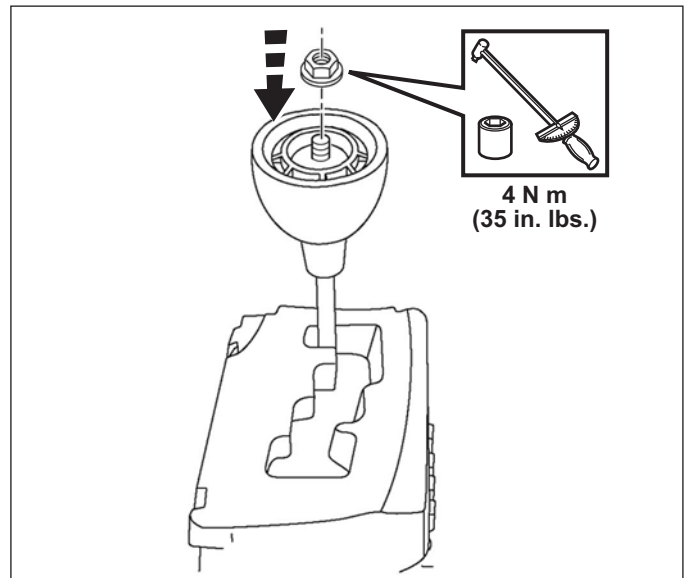
**65. REVERSE LOS PASOS 7 A 53 PARA VOLVER A INSTALAR TODOS LOS COMPONENTES DEL VEHÍCULO Y PANELES TRIM.**

66. **Colocar la palanca ATRÁS EN "PARQUE"**  
(consulte los pasos 19 a 21). Instale el mando para el cambio eje del mecanismo (1). El eje tiene una función de localización plana para ayudar en la instalación.
67. Instale la palanca de cambios al mecanismo de palanca de cambios por firmemente empujando hacia abajo.

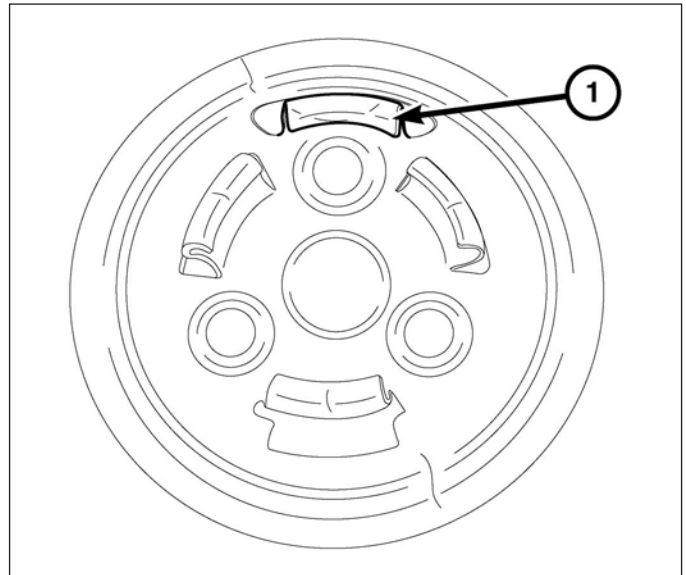




68. Monte la tuerca en el eje de la palanca de cambios.  
Apriete la tuerca a 4 Nm (35 in lbs).



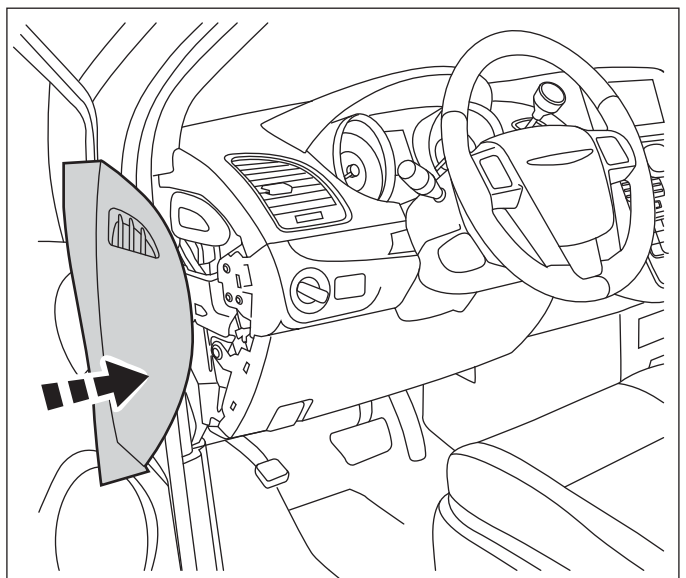
69. Alinee la lengueta del embellecedor del pomo de la palanca de cambios (1) antes de montarla en el pomo. La lengueta estar en la posicin 12:00.



70. Vuelva a colocar la tapa del panel de instrumentos.  
Repita en lado opuesto.

71. Comprobar que todo el cableado y recortar todos los lazos de cable en exceso.

72. Vuelva a conectar la batería. Apriete cables de la batería a 5 N m (45 in-lbs).



**NOTA:** El nivel del software de wiTECH debe ser el de la ltima versin para realizar este procedimiento.

**NOTA:** En los vehculos equipados con el Sistema inmovilizador con llave centinela (SKIS), cuando el Nodo de encendido inalmbrico (WIN) se reemplaza por una unidad nueva, para que el vehculo pueda utilizarse DEBE emplearse una herramienta de exploracin de diagnstico para inicializar el WIN nuevo y para programar al menos dos transpondedores FOBK de llave centinela.

**PRECAUCIÓN:** Lea todas las notas y precauciones relativas al procedimiento de programacin.

**NOTA:** Antes de ejecutar la rutina, asegrese de que tiene el PIN del vehculo disponible

**PRECAUCIÓN:** Si el PCM y el WIN se van a sustituir en el mismo momento, el PCM DEBE programarse antes que el WIN.

**NOTA:** Si el vehculo est equipado con botn de encendido "Key N Go", el procedimiento de programacin del PEM tambin debe llevarse a cabo adems de este proceso.

**NOTA:** No ponga un ordenador portátil o un dispositivo móvil (teléfonos celulares, dispositivos de audio, etc.) cerca de la parte superior de la consola central (una antena de entrada pasiva se encuentra por debajo de la consola central).

### **PROGRAMACIN DEL WIN**

1. Conecte un cargador de batera al vehculo.
2. Inserte una (1) nueva del llavero en el encendido y gire a "RUN".
3. Retire FOBKs viejos de vehculo. Sé FOBKs viejos seguro no están en proximidad del vehculo.
4. Con la herramienta de diagnsico wiTECH, lleve a cabo los pasos siguientes:
  - Seleccione "WIRELESS CONTROL MODULE (WCM)" (Mdulo de control inalmbrico [WCM]).
  - Seleccione la pestaa "MISCELLANEOUS FUNCTIONS" (Funciones varias).
  - Seleccione "WIN REPLACED" (WIN reemplazado).
  - Seleccione el botn "Start Misc Function" (Iniciar funciones varias).
  - Seleccione "SIGUIENTE"
  - Introduzca el PIN cuando se le solicite.
  - Seleccione "SIGUIENTE"
  - Compruebe que el nmero PIN es correcto.
  - Una vez comprobado, seleccione "NEXT" (Siguiente).
  - Seleccione "SIGUIENTE"
  - Anote las instrucciones que aparecen en pantalla y seleccione el botn "FINISH" (Finalizar).
  - Una vez finalizada correctamente la rutina, gire la llave de encendido.

### **PROGRAMACION DE LLAVES DE ENCENDIDO EN EL WIN**

1. Conecte un cargador de batera al vehculo.
2. Con la herramienta de diagnsico wiTECH, lleve a cabo los pasos siguientes:
  - Seleccione "WIRELESS CONTROL MODULE (WCM)" (Mdulo de control inalmbrico [WCM]).
  - Seleccione la pestaa "MISCELLANEOUS FUNCTIONS" (Funciones varias).
  - Resalte "PROGRAMMING IGNITION KEYS OR KEY FOBS" (Programacin de llaves de encendido o llaves).
  - Seleccione "SIGUIENTE"
  - Introduzca el PIN cuando se le solicite.
  - Seleccione "SIGUIENTE"
  - Compruebe que el nmero PIN es correcto.
  - Una vez comprobado, seleccione "NEXT" (Siguiente).
  - Anote las instrucciones que aparecen en pantalla y seleccione el botn "FINISH" (Finalizar).
  - Una vez finalizada correctamente la rutina, gire la llave de encendido.

**NOTA:** Si las llaves originales no se programan satisfactoriamente en el nuevo WIN despus de seguir correctamente los procedimientos apropiados, ser necesaria la programacin de las nuevas llaves.

**NOTA:** El WIN puede programar un mximo de ocho llaves. Una vez programada la llave en el WIN, sta recibe una clave secreta para el WIN y no puede transferirse a ningn otro vehculo.

### **PROGRAMACIN DEL MDULO PEM (si es necesario)**

**NOTA:** Lleve a cabo este procedimiento en vehculos equipados con botn de encendido "Key N Go".

1. Conecte un cargador de batera al vehculo.
2. Con la herramienta de diagnsico wiTECH, lleve a cabo los pasos siguientes:
  - Seleccione "PASSIVE ENTRY MODULE"
  - Seleccione la pestaa "MISCELLANEOUS FUNCTIONS" (Funciones varias).
  - Resalte "PEM REPLACED"

**RESTABLECIMIENTO DE LA ECU**

1. Conecte un cargador de batería al vehículo.
2. Con la herramienta de diagnóstico wiTECH, lleve a cabo los pasos siguientes:
  - Seleccione "VEHICLE VIEW"
  - Seleccione la pestaña "DIAGNOSTIC PROCEDURES" cerca de la parte inferior de la pantalla
  - Resalte "RESET ECU"
  - Nota instrucciones en pantalla y seleccione el botón "NEXT"
  - Seleccione "WIRELESS CONTROL MODULE (WCM)"
  - Seleccione el botón "CONTINUAR"

**CALIBRACION DE VENTANILLAS (si es necesario)**

**NOTA: En vehículos provistos de la función de subida automática de ventanillas, es necesario calibrar las ventanas tras una desconexión de la batería.**

**NOTA: La puerta debe estar completamente cerrada al iniciar este paso.**

1. Síntese en el asiento del conductor y cierre la puerta.
2. Baje la ventanilla.
3. Suba la ventanilla por completo y mantenga pulsado el conmutador durante unos dos segundos ms.
4. Baje por completo la ventanilla y mantenga pulsado el conmutador durante dos segundos ms.
5. Eleve la ventanilla por completo.
6. Repita estos pasos para las demás ventanillas.

**PROGRAMA NEUMÁTICO IDs DEL SENSOR**

1. Con la herramienta de diagnóstico wiTECH, lleve a cabo los pasos siguientes:
  - Seleccione "WIRELESS CONTROL MODULE (WCM)"
  - Seleccione la pestaña "FUNCIONES VARIAS"
  - Resalte cada neumático y siga las instrucciones en pantalla para programar el ID de neumáticos.

**NOTA: En algunos casos, el líder de "0" en el ID puede no necesitar ser introducido.**

**ACTUALIZACIÓN UMBRALES PRESIÓN DE LOS NEUMÁTICOS (si es necesario)**

**NOTA: El vehículo debe ponerse en marcha antes de que la luz del TPMS se apague.**

1. Conecte un cargador de batería al vehículo.
2. Con la herramienta de diagnóstico wiTECH, lleve a cabo los pasos siguientes:
  - Seleccione TIPMCGW.
  - Seleccione la pestaña "MISCELLANEOUS FUNCTIONS" (Funciones varias).
  - Resalte y seleccione UPDATE PRESSURE THRESHOLDS" (Actualización de umbrales de presión).
  - Anote las instrucciones que aparecen en pantalla y seleccione el botón "NEXT" (Siguiente).
  - Compruebe la configuración actual y seleccione el botón "NEXT" (Siguiente) para cambiar la configuración.
  - Seleccione "SIGUIENTE"
  - Introduzca el PIN cuando se le solicite.
  - Seleccione "SIGUIENTE"
  - Compruebe que el número PIN es correcto.
  - Una vez comprobado, seleccione "NEXT" (Siguiente).
  - Seleccione "SIGUIENTE"
  - Espere a que el WCM/WIN actualice su configuración.
  - Una vez completada la configuración del WCM/WIN, seleccione "NEXT" (Siguiente).
  - Seleccione "SIGUIENTE"
  - Anote las instrucciones que aparecen en pantalla y seleccione el botón "FINISH" (Finalizar).

**DESACTIVACIÓN TEMPORAL DEL ARRANQUE A DISTANCIA**

1. Conecte un cargador de batería al vehículo.
2. Con la herramienta de diagnóstico wiTECH, lleve a cabo los pasos siguientes:
  - Seleccione TIPMCGW.
  - Seleccione la pestaña "MISCELLANEOUS FUNCTIONS" (Funciones varias).
  - Resalte y seleccione "TEMPORARY REMOTE START DISABLE" (Desactivación temporal del arranque a distancia).
  - Anote las instrucciones que aparecen en pantalla y seleccione el botón "NEXT" (Siguiente).
  - Seleccione el botón "DISABLE" (Desactivar) para activar la función de arranque a distancia.
  - Seleccione "YES" (S) para restablecer el módulo y salir de la rutina y seleccione "NO" para volver a cambiar el valor.
  - Seleccione "FINALIZAR"

**BORRAR TODO DTCs**

**NOTA: Puede que sea necesario para arrancar el motor y gire el bloqueo del volante para bloquear.**

**PROBAR EL ARRANQUE REMOTO**

Con el vehículo apagado, y las puertas cerradas y bloqueadas, compruebe el arranque a control remoto está funcionando correctamente.